

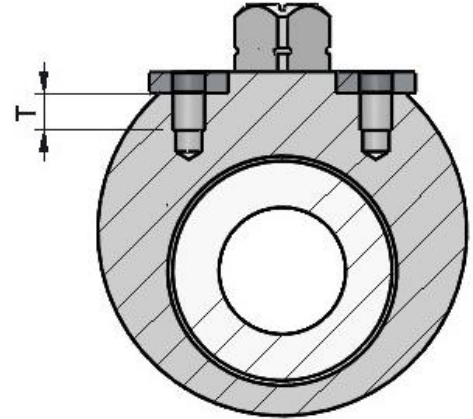
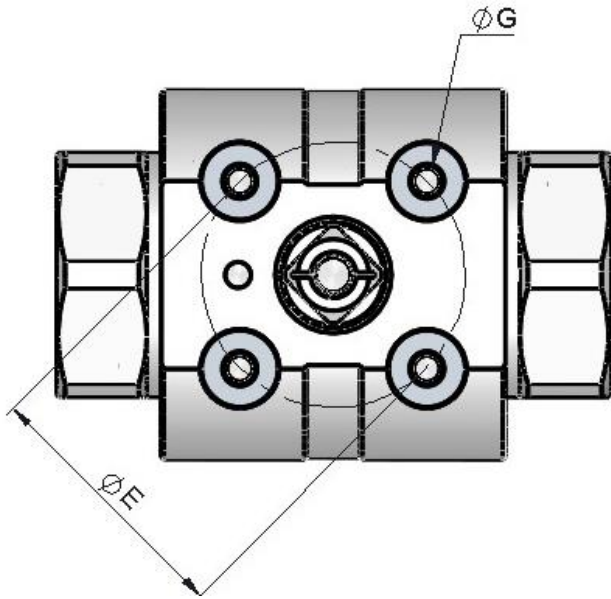


# 412 SERIES ISO 5211

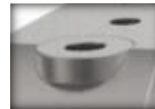
(DIRECT MOUNTING OF ACTUATORS)

NEW

Anchoring system for direct mounting part-turn actuators.  
Available in our two-way valves in all sizes and threads.



V2RD



RD Valves are supplied with Washer-Supplement to facilitate actuator support.

DN	TYPE	ØG	ØE	T
10	F03	M5	36	12
12.5	F03	M5	36	12
20	F04	M5	42	12
	F05	M6	50	12
25	F05	M6	50	12
32	F05	M6	50	12
40	F07	M8	70	15
50	F07	M8	70	15



AVAILABLE

412-5



# 412 SERIES V2RD



Calibrated steel manufacturing.  
Thread combination available upon request of minimum quantities.

## TECHNICAL FEATURES

**Operating pressure:** : Up to 500 Bar

**Materials:** Body: Carbon Steel EN 10277-3  
Stainless Steel AISI 316 / 303

O-ring: NBR. VITON or EPDM

Seating Ball: NYLON

Handle: ZAMAK-5

**Available Threads:** BSP / NPTF / SAE (ORB) / DIN 2353 (ISO 8431-3)

**Anchoring System:** Available ISO 5211 - Mounting actuators

**Applications:** Designed for oil hydraulic

**Interchange:** PISTER BKH / MHA BKH / HYDAC BKH / DMIC BVH

**Available Size:** 1/4" a 2"

**Working Temperature (O-ring)**

	NBR	Viton	EPDM
+	+100°C	+200°C	+150°C
-	-30°C	-10°C	-40°C

**Sectors:** Industrial / Agricultural



## MODEL STRUCTURE

Ejemplo:

### 412.1016 AG F00

Series	Material	Mounting H.	O-Ring	Size	Thread	ISO 5211
412.	1 Carbon ST.	0 No	1 NBR	1 6.3	2 letters as per Table of Threads	-
	2 AISI316		2 Viton	2 10		F03
	3 AISI303		3 EPDM	3 12.5		F04
				4 20		F05
				5 25		F06
				6 31.5		F07
				7 40		
				8 50		

412-1

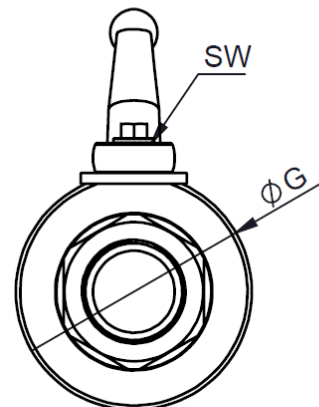
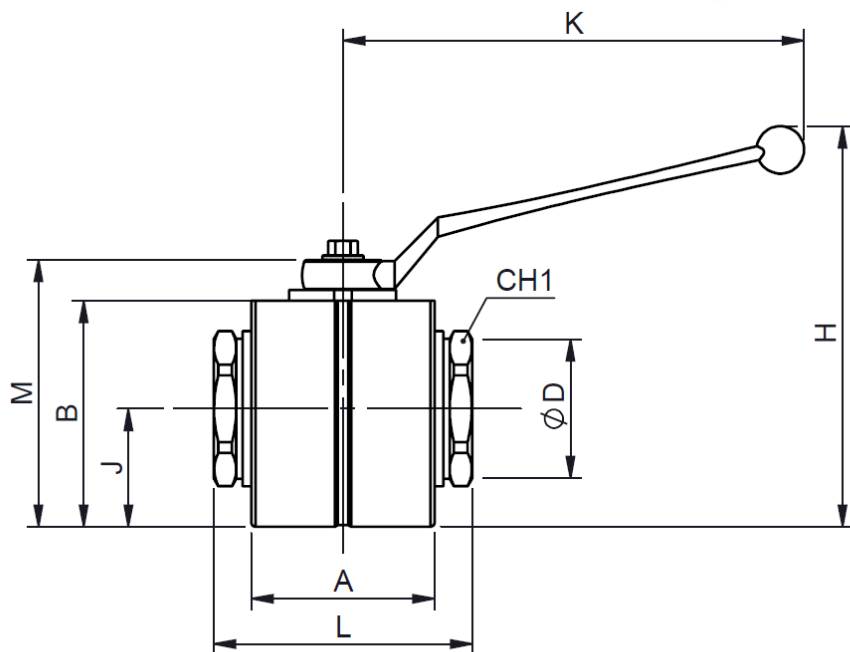



v9



# SERIE 412 V2RD

CARBON STEEL  
BSP / NPTF / SAE (ORB)  
DIN 2353 (ISO 8431-3)



DN	Ø D	REF.		CH1	L	A	M	K	H	J	B	ØG	SW
	1 1/4" BSP	412.1016AG											
	1 1/4" NPTF	412.1016BG											
32	1 5/8"- 12 UN (ORB)	412.1016GT	320	55	110	80	100	160	135	41	86	90	14
	M45x2 35L	412.1016JM											
	M52x2 38S	412.1016KN											
40	1 1/2" BSP	412.1017AH	320	65	120	85	114	160	176	45	105	110	17
	1 1/2" NPTF	412.1017BH											
50	2" BSP	412.1018AI	320	50	140	100	129	214	191	52	115	120	17
	2" NPTF	412.1018BI											

412-2

INTEVA reserves the right to make modifications to its products without prior notice. Any external or internal alterations to our products will automatically void the warranty.

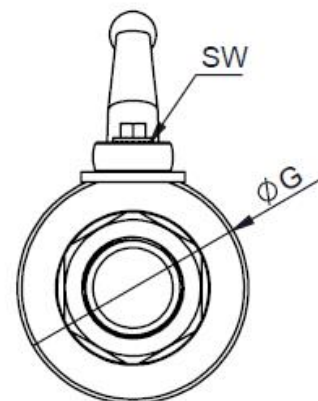
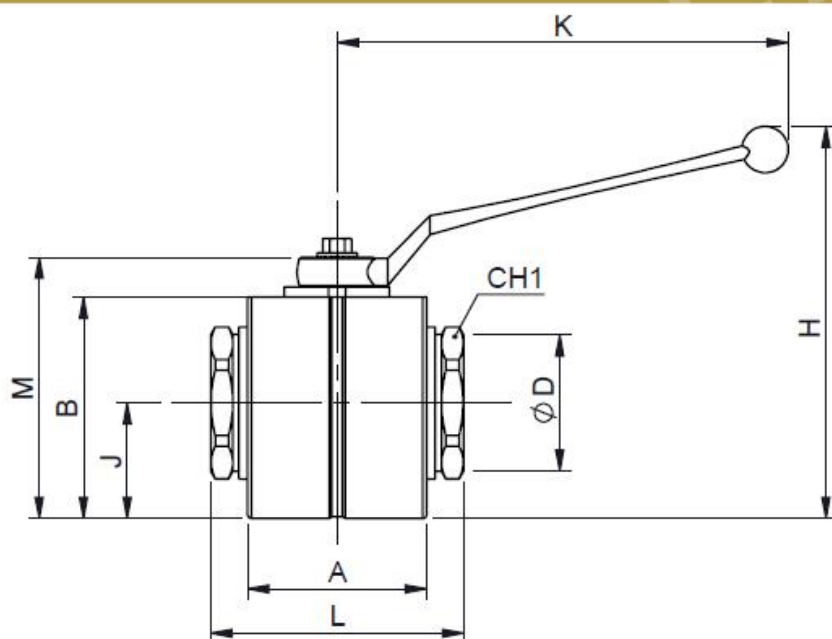





# SERIE 412

## V2RD

STAINLESS STEEL - AISI 316  
BSP / NPTF / SAE (ORB)

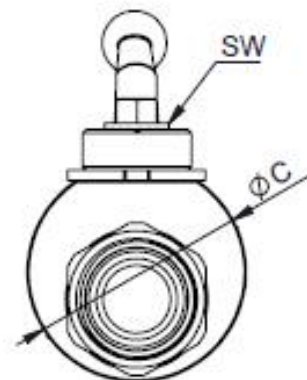
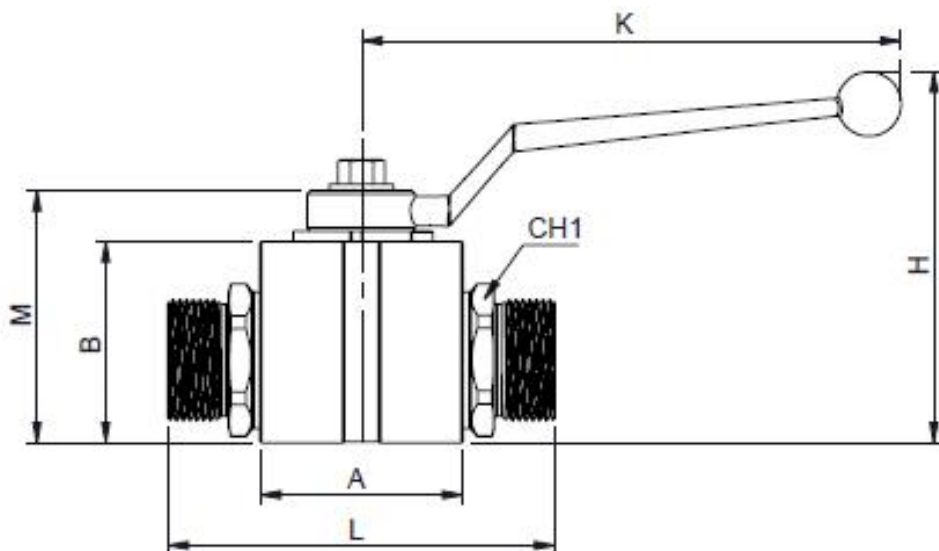



DN	Ø D	REF.		CH1	L	A	M	K	H	J	B	ØC	SW
6.3	1/4" BSP	412.2021AB	500	22	75	40	46		71	13	35	38	
	1/4" NPTF	412.2021BB											
	7/16"- 20h UNF (ORB)	412.2021GA											
10	3/8" BSP	412.2022AC	500	27	75	45	51	106	76	16	40	45	9
	3/8" NPTF	412.2022BC											
	9/16"- 18h UNF (ORB)	412.2023GF											
12.5	1/2" BSP	412.2023AD	500	30	85	50	56		81	18	45	48	
	1/2" NPTF	412.2023BD											
	3/4"- 16h UNF (ORB)	412.2023GF											
20	3/4" BSP	412.2024AE	400	41	93	60	75		110	25	60	65	
	3/4" NPTF	412.2024BE											
	1 1/16"- 12h UN (ORB)	412.2024GK											
25	1" BSP	412.2025AF	350	46	115	65	80	156	115	18	65	70	14
	1" NPTF	412.2025BF											
	1 1/4" BSP	412.2025AG											
	1 1/4" NPTF	412.2025BG											
	1 1/2" BSP	412.2025AH											
	1 1/2" NPTF	412.2025BH											
32	1 5/16"- 12h UN (ORB)	412.2025GO	320	55	110	80	100		135	41	86	90	
	1 1/4" BSP	412.2026AG											
	1 1/4" NPTF	412.2026BG											
40	1 5/8"- 12h UN (ORB)	412.2026GT	320	65	120	85	114		176	45	105	110	
	1 1/2" BSP	412.2027AH											
	1 1/2" NPTF	412.2027BH											
50	2" BSP	412.2028AI	320	80	140	100	129	214	191	52	115	120	17
	2" NPTF	412.2028BI											



# SERIE 412 V2RD

STAINLESS STEEL - AISI 316  
DIN 2353 (ISO 8431-3)



DN	Ø D	ØT	REF.		CH1	L	A	M	K	H	J	B	ØC	SW
6.3	M12x1.5	6L	412.2021JB	500	22	75	40	46	71	13	35	38		
	M14x1.5	8L	412.2021JC											
	M16x1.5	8S	412.2021KD											
	M18x1.5	10S	412.2021KE											
10	M16x1.5	10L	412.2022JD	500	27	75	45	51	106	76	16	40	45	9
	M18x1.5	12L	412.2022JE											
	M22x1.5	15L	412.2022JG											
	M20x1.5	12S	412.2022KF											
12.5	M22x1.5	14S	412.2022KG	500	30	85	50	56	81	18	45	48		
	M22x1.5	15L	412.2023JG											
	M26x1.5	18L	412.2023JI											
	M24x1.5	16S	412.2023KH											
20	M30x2.0	20S	412.2023KJ	400	41	93	60	75	110	25	60	65		
	M30x2.0	22L	412.2024JJ											
	M36x2.0	25S	412.2024KK											
25	M36x2.0	28L	412.2025JK	350	46	115	65	80	156	115	18	65	70	14
	M42x2.0	30S	412.2025KL											
32	M45x2.0	35L	412.2026JM	320	55	110	80	100	135	41	86	90		
	M52x2.0	38S	412.2026KN											

412-4