

Check Valve, Size 25 ... 40

Spherical poppet-type, screw-in design
Series RKVE ...-VD 540 l/min, 350 bar



- for the same pressure differential, Q_{max} is around 50% higher than with standard RKVE valves
- very low leakage
- with enclosed spring

1 Description

Series RKVE ...-VD screw-in cartridge check valves are furnished with G1" ... G1½" threads, depending on their nominal size. Requests for other mounting threads will be subject to negotiation with the factory.

The valves prevent flow in the screw-in direction (B → A) and open in the opposite direction. Opening pressures of 0.2, 0.5 and 1 bar can be supplied. For higher opening pressures, our RVVE preload valves with extended overall length are available (see data sheet 170-P-051010-E).

The cavity used is the REG-01. Installing the valves needs special fitting tools, which we can supply.

An external O-ring seals the leakage path between the valve and cavity wall.

The units are spring-closed spherical-poppet valves. The body and seat are press-fitted together, with a guided pop-

pet and an enclosed spring fitted between them. The valve seat, poppet and body are hardened. The properties of the sealing faces have been enhanced by precision mechanical processing.

Thanks to a fundamental redesign of the standard RKVE-25...40 valves, we have achieved a 50% increase in the permissible flow rate of the new RKVE...-VD valve series for the same pressure differential. This means that in many cases it is possible to use a smaller valve and thus save installation space and costs.

The valves can be used for pressure relief in the opening direction, but only to a limited extent (please contact Bucher Hydraulics for such applications).

2 Symbol



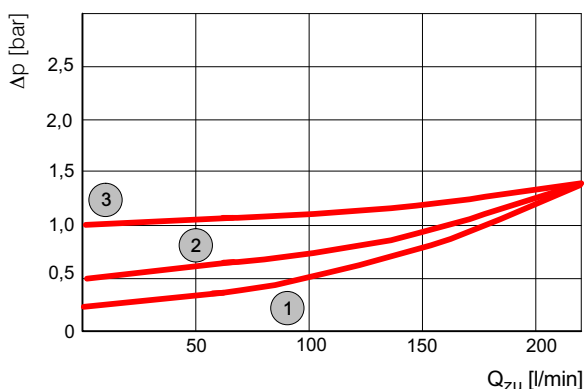
3 Technical data

General characteristics	Unit	Description, value
Type		check valve
Design		spherical poppet-type
Mounting method		screw-in cartridge
Size		nominal 25...40 mm (see table section 5: Dimensions)
Dimensions	mm	see table section 5: Dimensions
Mounting attitude		unrestricted
No-flow direction		B -> A (symbol see section 2)
Operating pressure	bar	350 bar (for higher pressures please contact Bucher Hydraulics)
Opening pressure	bar	0,2 / 0,5 / 1
Flow rate Q_{max}	l/min	540
Fluid		HL and HLP hydraulic oils to DIN 51524, for other fluids please contact Bucher Hydraulics
Temperature range	°C	-30 ... + 120
Viscosity range	mm ² /s [cSt]	10 ... 500
Minimum fluid cleanliness		NAS 1638, class 9 or ISO 4406, code 20/18/15 (see section 11)

4 Performance graphs

4.1 RKVE-G-25-...-VD

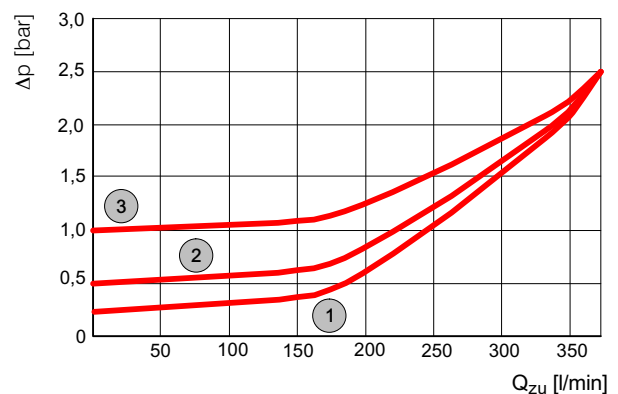
Measured with oil viscosity 33 mm²/s [cSt]



1	RKVE-G-25-02-VD
2	RKVE-G-25-05-VD
3	RKVE-G-25-1-VD

4.2 RKVE-G-32-...-VD

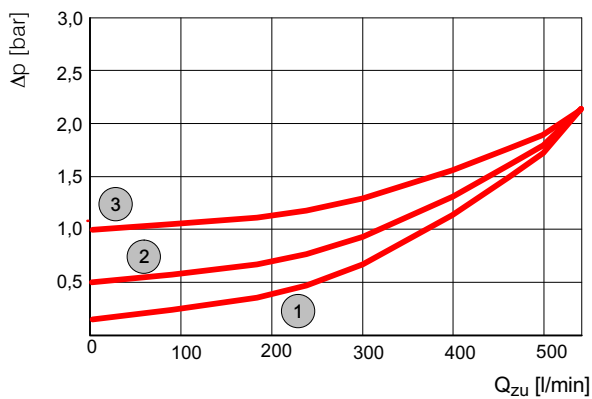
Measured with oil viscosity 33 mm²/s [cSt]



1	RKVE-G-32-02-VD
2	RKVE-G-32-05-VD
3	RKVE-G-32-1-VD

4.3 RKVE-G-40-..-VD

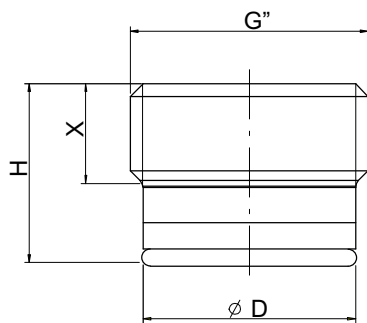
Measured with oil viscosity 33 mm²/s [cSt]



1	RKVE-G-40-02-VD
2	RKVE-G-40-05-VD
2	RKVE-G-40-1-VD

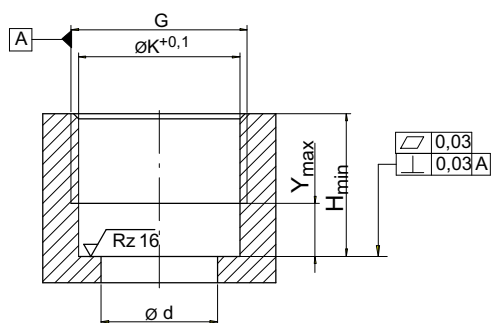
5 Dimensions

5.1 Dimensions - valve



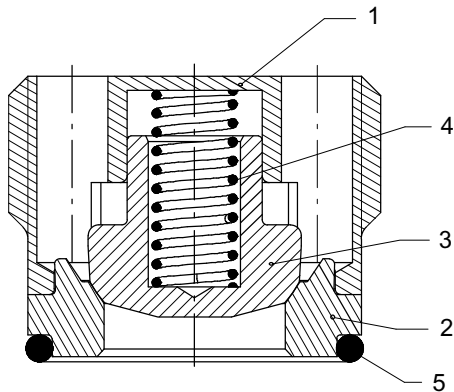
Type	Q _{Nom} =Q _{max} [l/min]	G [mm]	øD [mm]	H [mm]	X [mm]	Tightening torque [Nm]	Fitting tool type	Fitting tool type
RKVE-25-...-VD	210	G1"	30,2	23,0	12,5	120	MKS-25/M-25	25x2,5
RKVE-32-...-VD	360	G1 1/4"	39,1	36,0	21,5	200	MKS-32	34x2,5
RKVE-40-...-VD	540	G1 1/2"	44,5	42,0	27,0	300	MKS-40	40x2,5

5.2 Dimensions - cavity type REG-01



Type	G	ø K [mm]	ø d [mm]	Y [mm]	H [mm]
RKVE-25-...	G1"	30,5	20,0	10,0	23,0
RKVE-32-...	G1 1/4"	39,5	26,0	12,0	36,0
RKVE-40-...	G1 1/2"	45,0	33,0	12,0	42,0

6 Schematic section



Item	Qty.	Description
1	1	Valve body
2	1	Valve seat
3	1	Valve poppet
4	1	Spring
5	1	O-ring

7 Design and installation notes

IMPORTANT:

- Be sure to keep to the installation dimensions and tolerances
- Use the specified tightening torque when fitting the valve
- Do not situate nozzles and orifices directly before the check valve (referring to the free-flow direction) (see data sheet 170-P-059000-E)

When fitting the valve, take particular care to ensure that:

- The valve is seated on the sealing surface
- Valve components are not deformed by the use of excessive force

Special fitting tools can be supplied.

8 Ordering code

R K V E - G - 25 - 02 - VD

Check valve, screw-in type
spherical poppet

Thread

Whitworth pipe thread G
Metric thread M (contact Bucher Hydraulics)
UNF thread U (contact Bucher Hydraulics)

Nominal size

25
32
40

Opening pressure

0,2 bar 02
0,5 bar 05
1 bar 1

Δp optimized version for pressures up to 350 bar

9 Application notes

The maximum operating pressure must not be exceeded and any pressure peaks must be taken into consideration. The specified nominal flow rate must not be exceeded.

In applications such as accumulator circuits, where sudden pressure can be applied to the valve in the free-flow direction, ensure that the specified flow ratings are not exceeded.

Buyers bear the sole responsibility for ensuring that the selected products are suitable for their applications. Buyers normally establish this by undertaking qualification programs on the test stands or by evaluating the performance of prototype machines or systems.

Buyers bear the sole responsibility for ensuring that the selected products are suitable for their applications. Buyers normally establish this by undertaking qualification programs on the test stands or by evaluating the performance of prototype machines or systems.

10 Fluid

The oil for check valves RKVE must have a minimum cleanliness level of 20/18/15 to ISO 4406 or class 9 to NAS 1638.

We recommend the use of fluids that contain anti-wear additives for operation with boundary lubrication. Fluids without appropriate additives reduce the service life of check valves. The user is responsible for maintaining, and regularly checking, the fluid quality.

11 Fluid cleanliness

Cleanliness class (RK) onto ISO 4406 and NAS 1638

Code ISO 4406	Dirt particle number / 100 ml			NAS 1638
	≥ 4 µm	≥ 6 µm	≥ 14 µm	
23/21/18	8000000	2000000	250000	12
22/20/18	4000000	1000000	250000	-
22/20/17	4000000	1000000	130000	11
22/20/16	4000000	1000000	64000	-
21/19/16	2000000	500000	64000	10
20/18/15	1000000	250000	32000	9
19/17/14	500000	130000	16000	8
18/16/13	250000	64000	8000	7
17/15/12	130000	32000	4000	6
16/14/12	64000	16000	4000	-
16/14/11	64000	16000	2000	5
15/13/10	32000	8000	1000	4
14/12/9	16000	4000	500	3
13/11/8	8000	2000	250	2

