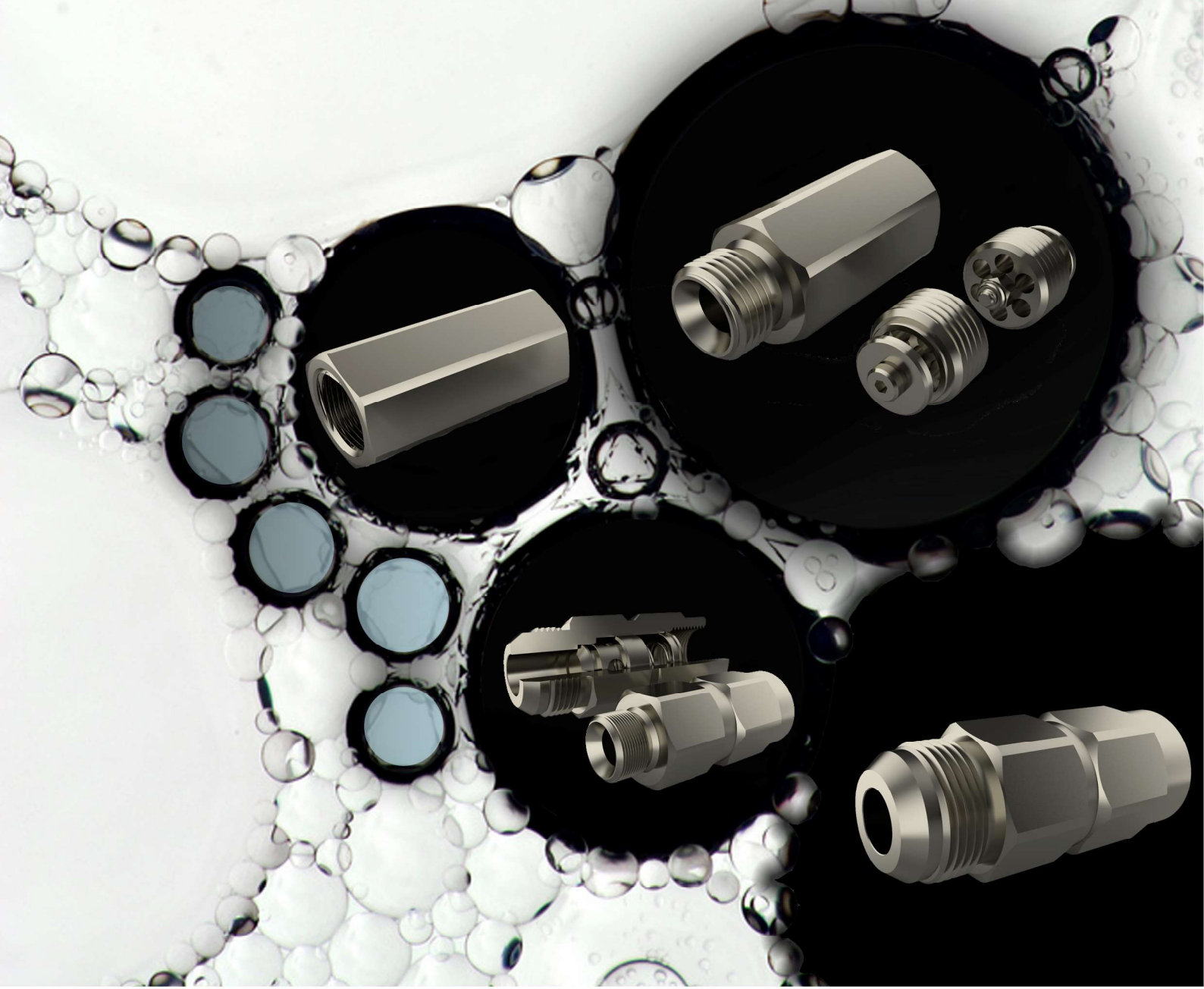




www.inteva.es

CHECK VALVES





MANAGEMENT SYSTEM CERTIFICATE

Certificate no.:
282929-2019-AQ-IBE-ENAC

Initial certification date:
22 February 2016

Valid:
11 March 2022 – 19 February 2025
Expiry date of last certification cycle:
19 February 2022
Date of last re-certification:

This is to certify that the management system of

INDUSTRIAS TECNICAS DE VALVULERIA, S.A.

C/ Berguedà, 14-16 (Esq. Empordà), Pol. Ind. Can Bernades - Subirà, 08130, Santa Perpetua de Mogoda, Barcelona, Spain

has been found to conform to the Quality Management System standard:
ISO 9001:2015

This certificate is valid for the following scope:

Design, manufacture and sales of quick couplings, check valves and ball valves.

Place and date:
Barcelona, 11 March 2022

For the issuing office:
DNV - Business Assurance
Gran Via de les Corts Catalanes 130-136, Pl. 9,
08038, Barcelona, Spain



Ana del Rio Salgado
Management Representative

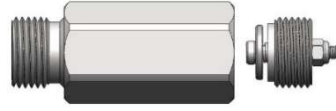
Lack of fulfillment of conditions as set out in the Certification Agreement may render this Certificate invalid.

ACCREDITED UNIT: DNV GL Business Assurance España, S.L.U., Gran Via de les Corts Catalanes 130-136, Pl. 9, 08038 Barcelona, Spain - TEL: +34 93 479 25 00.
www.dnv.es/assurance

Series

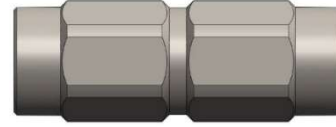
502

VPC



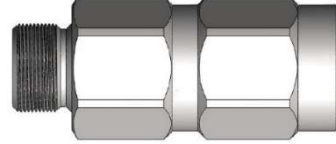
504

ATR



505

ATR



INDEX

CHECK VALVES





502 SERIES VPC

HOSE BURST VALVES
& CARTRIDGES



TECHNICAL SPECIFICATIONS

Designed to avoid pressure drops in the circuit in the event of a hose break. When the oil flow exceeds the value set on the valve, the valve closes blocking the flow of fluid.

Features:

Available with depressurizer hole, for slow load drop with closed valve. *

The valves are offered with a male-female or female-female threaded body.

Operating pressure: Up to 350 Bar

Available Size: 1/4" a 1"

Materials: Body: Carbon Steel EN -10277-3

Sectors: Industrial

Springs: EN 10270-1/SH

Available Threads: BSP*

Applications: Designed for oil hydraulic (Group II- 2014/68/EU)



*On request and minimum quantity.

MODEL STRUCTURE

Example:

502.19992 AN

Series	Materials	Regulation	Size (S)	Thread
502.	1 Carbon St.	999 Random	1 6	2 letters as per Table of Threads
503.	2 SS316		2 10	
			3 13	
			4 16	
			5 19	
			6 25	

* Regulation random (999) - adjustable on request.

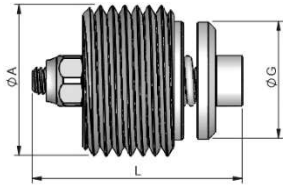


502 SERIES VPC

HOSE BURST VALVES
& CARTRIDGES

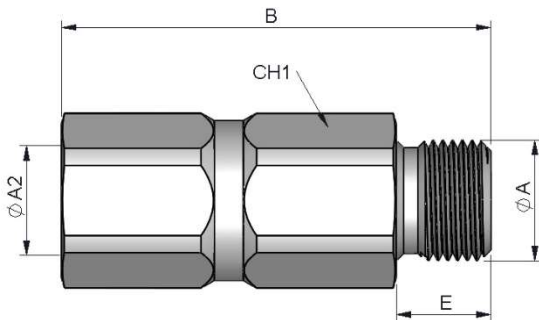


CARTRIDGE



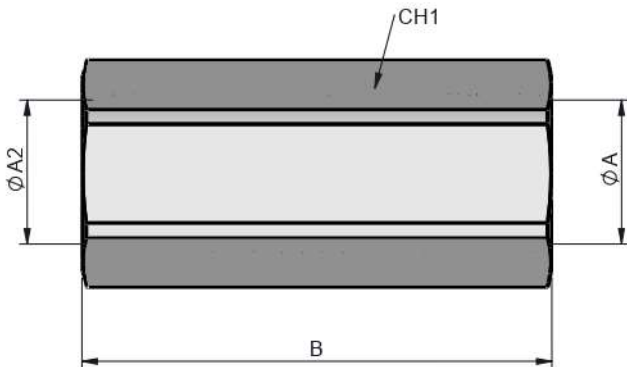
(S)	ØA1	REF.	ØG	L	
6	1/4" BSP	503.19991AM	10	23	350
10	3/8" BSP	503.19992AN	13.80	23	
13	1/2" BSP	503.19993AO	16	34	
20	3/4" BSP	503.19994AP	20	34	
25	1" BSP	503.19995AQ	24	43	

BODY THREAD FEMALE - MALE



(S)	ØA	ØA2	REF.	CH1	B	E	
6	1/4" BSP	1/4" BSP	502.19991AM	19	50	12	350
10	3/8" BSP	3/8" BSP	502.19992AN	22	59	13	
13	1/2" BSP	1/2" BSP	502.19993AO	27	65	15	
20	3/4" BSP	3/4" BSP	502.19994AP	36	78	16	
25	1" BSP	1" BSP	502.19995AQ	41	92	18	

BODY THREAD FEMALE - FEMALE



(S)	ØA1	ØA2	REF.	CH1	B	
6	1/4" BSP	1/4" BSP	502.19991AB	19	48	350
10	3/8" BSP	3/8" BSP	502.19992AC	22	59	
13	1/2" BSP	1/2" BSP	502.19993AD	27	62	
20	3/4" BSP	3/4" BSP	502.19994AE	36	72	
25	1" BSP	1" BSP	502.19995AF	41	86	

502-2

INTEVA reserves the right to make modifications to its products without prior notice. Any external or internal alterations to our products will automatically void the warranty.





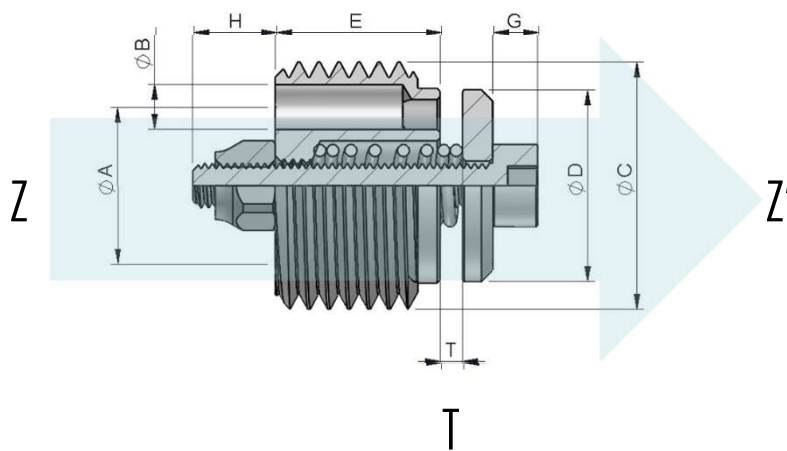
502 SERIES VPC

HOSE BURST VALVES
& CARTRIDGES



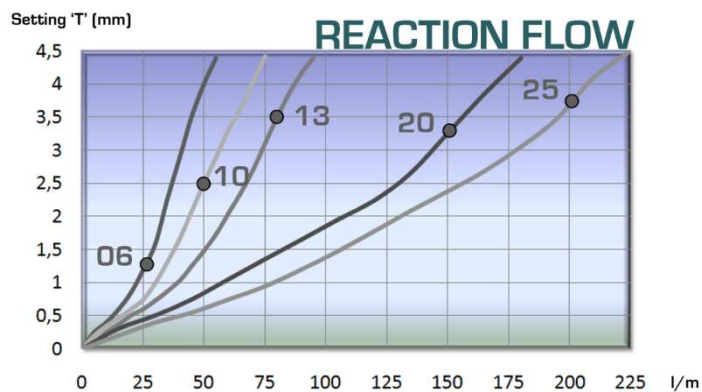
REACTION FLOW

In normal position the disc is directed by the spring enabling the passage of fluid from Z to Z1. Under normal conditions the fluid returns to the tank freely from Z to Z1. When the fluid passage increases from Z to Z1 and there is an excessive reaction the disc blocks the return to the tank anticipating a possible pressure drop. The user can adjust the fluid reaction (S) according to the needs of the safety valve.



(S)	Max. Flow Rate	Max. Pressure	A mm	B mm	C BSP	D mm	E mm	T mm	G mm	H mm
6	25 LPM	350	8.2	2.25	1/4"	10	9	See diagram below	5	4
10	50 LPM	350	11	3	3/8"	13.8	11		5	4
13	80 LPM	350	12	4.5	1/2"	16	13		5	5
20	150 LPM	350	15.5	6	3/4"	20	18		6.2	5
25	200 LPM	350	20	7	1"	24	21		7.5	5

Test performed according to ISO 18869





504 SERIES ATR

CHECK VALVES



TECHNICAL SPECIFICATIONS

Features: Designed to avoid back flow in circuit.
Metal closure (no O-ring): Steel construction without seals or other components to wear out.
High resistance to pressure peaks.
5 psi standard opening pressure. Other opening pressures on request.

Available Size: 1/8" a 2"

Operating pressure: Up to 300 Bar

Materials: Body: Carbon Steel EN 10277-3
Stainless Steel 316

O-rings: NBR / VITON / EPDM

Springs: EN 10270-3/-1/SH

Available Threads: BSP / NPTF*

Closing System: Poppet (without o-ring) / Available with O-rings

Applications: Designed for oil hydraulic (Group II- 2014/68/EU)

Interchangeable: GROMELLE 4000 / DMIC CVH
PARKER DC / SNAP TITE CPIFF

Working Temperature (O-rings)

	NBR	Viton	EPDM
+	+100°C	+200°C	+150°C
-	-30°C	-10°C	-40°C

Sectors:

Carbon Steel → Industrial



Stainless Steel → Industrial / Chemical / Offshore



*On request and minimum quantity.

MODEL STRUCTURE

Example:

504.110006 AG

Series	Materials	Closing	O-ring	Opening pressure ± 0,3	Size (S)	Thread
504.	1 Carbon St. 2 SS316	1 Poppet	0 Without	00 0.34 Bar / 5 psi	0 4	2 letters as per Table of Threads
			1 NBR (90Sh)	10 1 Bar / 14psi	1 6	
	2 VITON		25 2.5 Bar / 36 psi	2 10		
	3 EPDM		45 4.5 Bar / 65 psi	3 13		
			60 6 Bar / 87 psi	4 20		
			80 8 Bar / 115 psi	5 25		
			99 10 Bar / 145 psi	6 32		
				7 40		
				8 50		

504-1

INTEVA reserves the right to make modifications to its products without prior notice. Any external or internal alterations to our products will automatically void the warranty.



v11

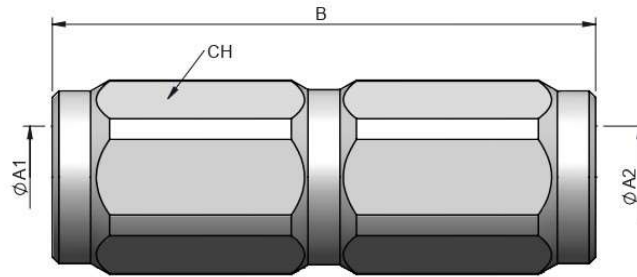


504 SERIES ATR


CHECK VALVES
CARBON STEEL



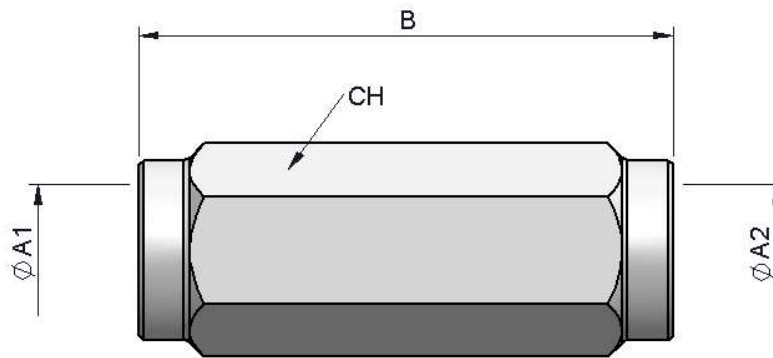
(S) 04 - 1/8"




STANDARD MODELS

(S)	ØA1/ØA2	REF.		CH	B
04	1/8" BSP	504.110000AA	300	14	42.5
	1/8" NPTF	504.110000BA			

(S) 06 - 1/4"



STANDARD MODELS

(S)	ØA1/ØA2	REF.		CH	B
6	1/4" BSP	504.110001AB	300	19	56
	1/4" NPTF	504.110001BB			

504-2

INTEVA reserves the right to make modifications to its products without prior notice. Any external or internal alterations to our products will automatically void the warranty.



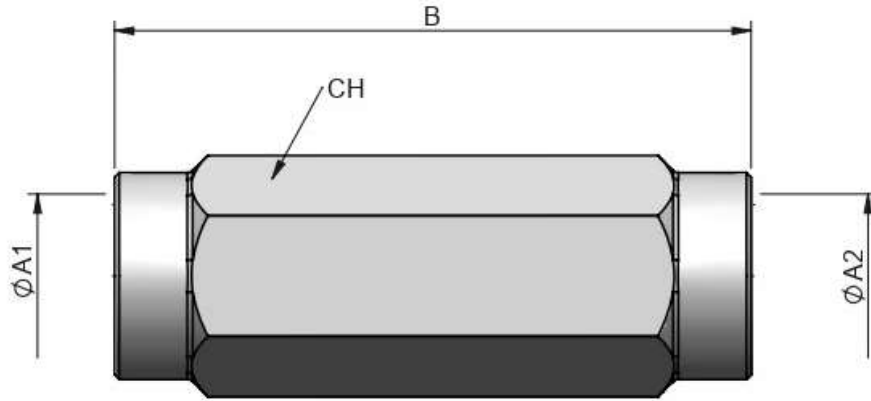


504 SERIES ATR


CHECK VALVES
CARBON STEEL



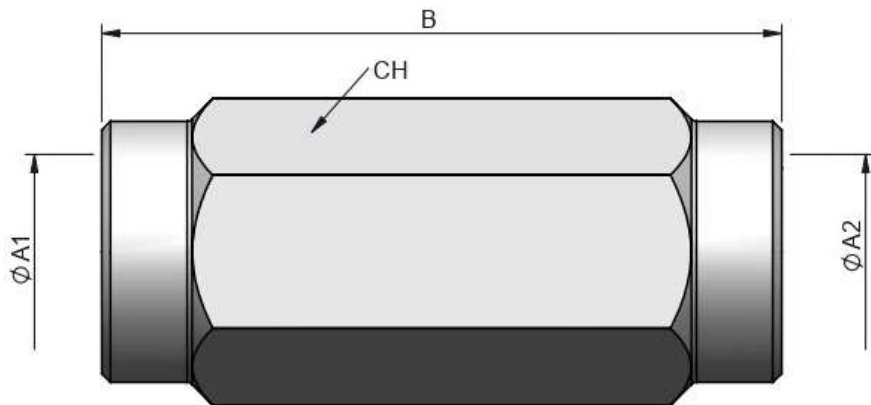
(S) 10 - 3/8"




STANDARD MODELS

(S)	ØA1/ØA2	REF.		CH	B
10	3/8" BSP	504.110002AC	300	22	67.5
	3/8" NPTF	504.110002BC			

(S) 13 - 1/2"



STANDARD MODELS

(S)	ØA1/ØA2	REF.		CH	B
13	1/2" BSP	504.110003AD	300	30	77
	1/2" NPTF	504.110003BD			

504-3

INTEVA reserves the right to make modifications to its products without prior notice. Any external or internal alterations to our products will automatically void the warranty.



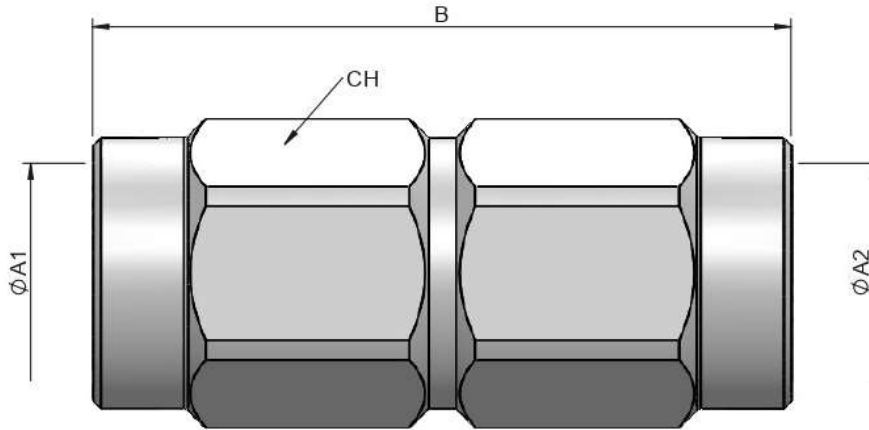


504 SERIES ATR


CHECK VALVES
CARBON STEEL



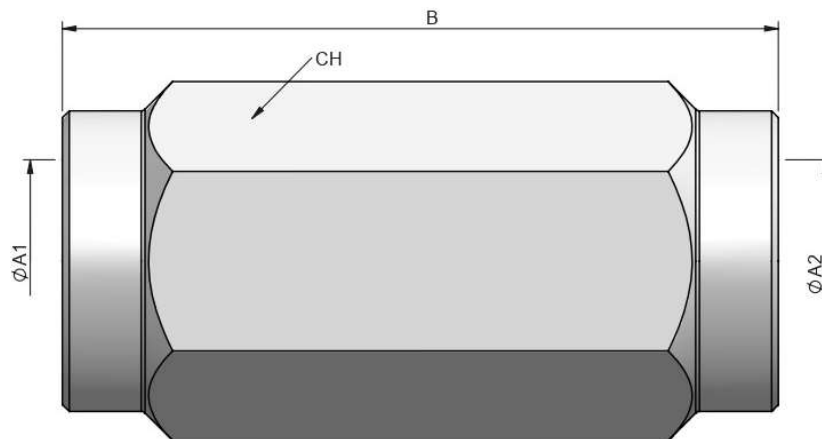
(S) 20 - 3/4"




STANDARD MODELS

(S)	ØA1/ØA2	REF.		CH	B
20	3/4" BSP	504.110004AE	300	36	90
	3/4" NPTF	504.110004BE			

(S) 25 - 1"



STANDARD MODELS

(S)	ØA1/ØA2	REF.		CH	B
25	1" BSP	504.110005AF	300	46	106
	1" NPTF	504.110005BF			

504-4

INTEVA reserves the right to make modifications to its products without prior notice. Any external or internal alterations to our products will automatically void the warranty.



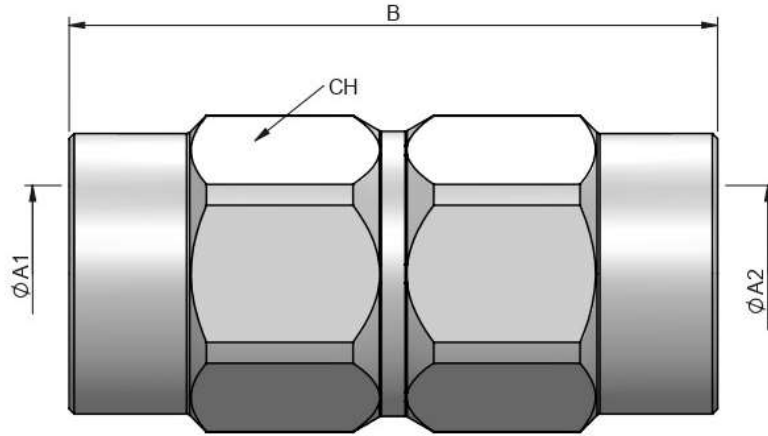


504 SERIES ATR


CHECK VALVES
CARBON STEEL



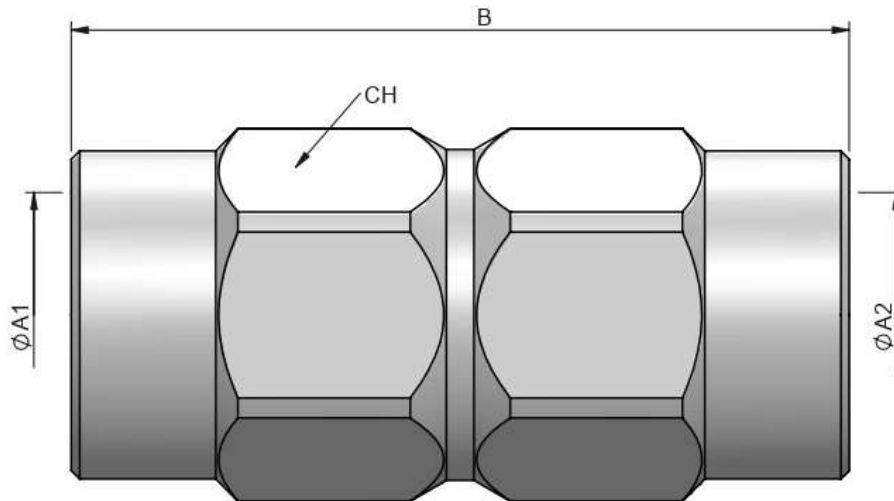
(S) 32 – 1 1/4"




STANDARD MODELS

(S)	ØA1/ØA2	REF.		CH	B
32	1 1/4" BSP	504.110006AG	300	55	125
	1 1/4" NPTF	504.110006BG			

(S) 40 – 1 1/2"



STANDARD MODELS

(S)	ØA1/ØA2	REF.		CH	B
40	1 1/2" BSP	504.110007AH	300	60	140
	1 1/2" NPTF	504.110007BH			

504-5

INTEVA reserves the right to make modifications to its products without prior notice. Any external or internal alterations to our products will automatically void the warranty.



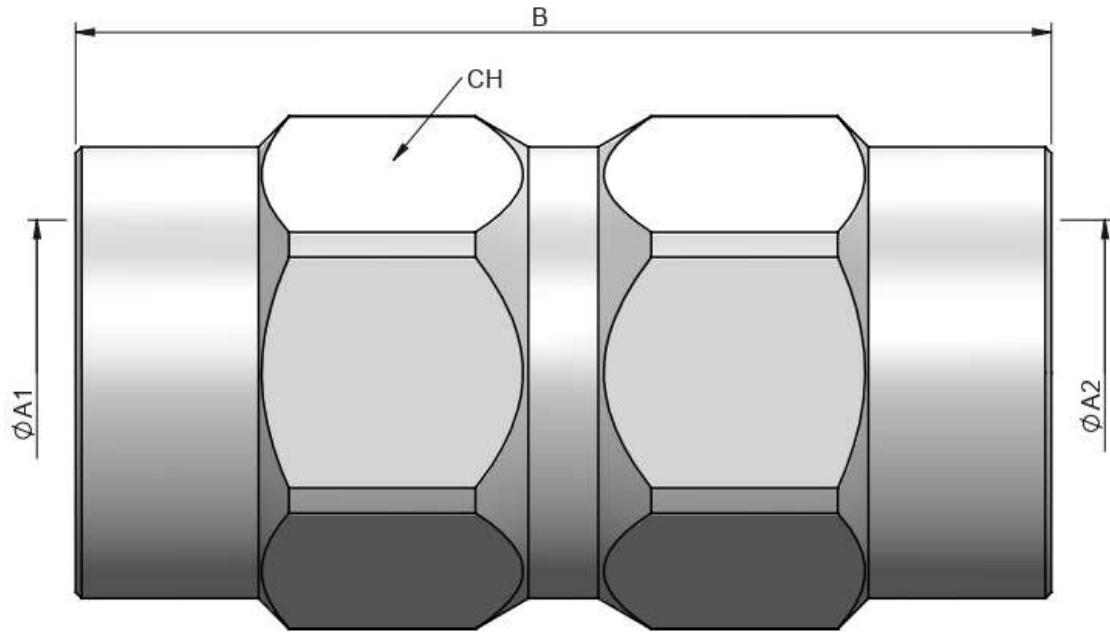


504 SERIES ATR


CHECK VALVES
CARBON STEEL



(S) 50 – 2"



STANDARD MODELS

(S)	ØA1/ØA2	REF.		CH	B
50	2" BSP	504.110008AI	200	75	160
	2" NPTF	504.110008BI			

504-6

INTEVA reserves the right to make modifications to its products without prior notice. Any external or internal alterations to our products will automatically void the warranty.



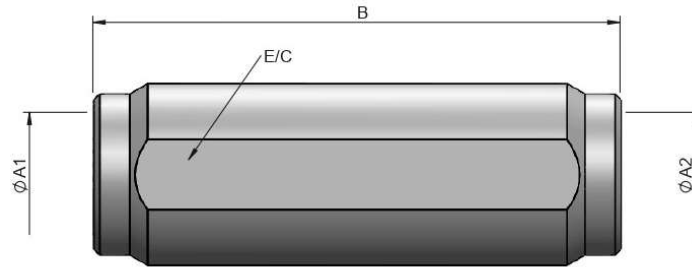


504 SERIES ATR


CHECK VALVES
SS316



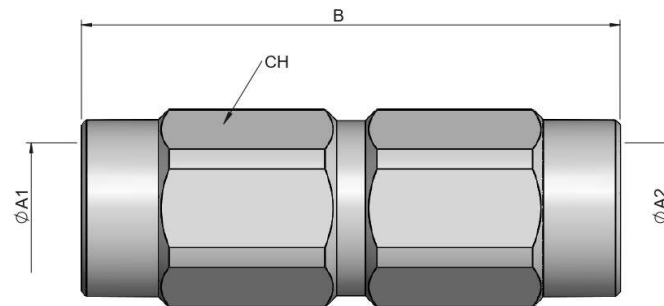
(S) 04 - 1/8"




STANDARD MODELS

(S)	ØA1/ØA2	REF.		CH	B
04	1/8" BSP	504.210000AA	300	14	42.5
	1/8" NPTF	504.210000BA			

(S) 06 - 1/4"



STANDARD MODELS

(S)	ØA1/ØA2	REF.		CH	B
6	1/4" BSP	504.210001AB	300	19	56
	1/4" NPTF	504.210001BB			

504-7

INTEVA reserves the right to make modifications to its products without prior notice. Any external or internal alterations to our products will automatically void the warranty.



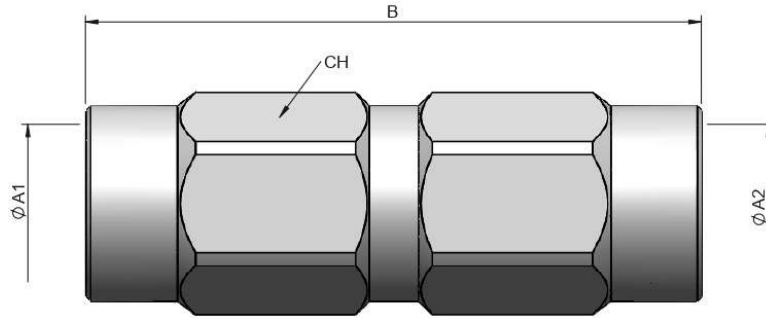


504 SERIES ATR


CHECK VALVES
SS316



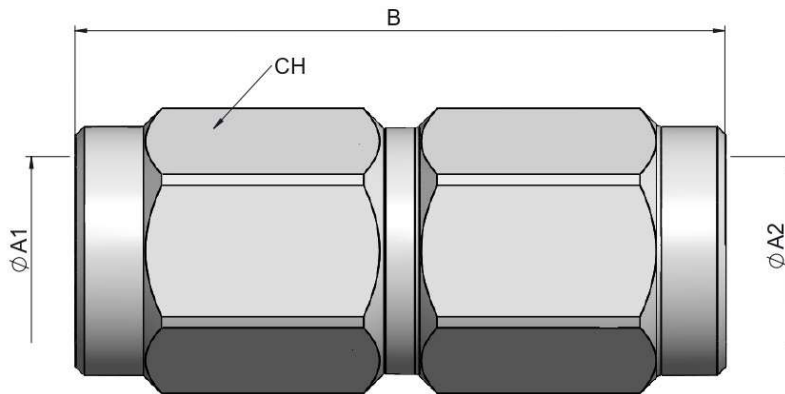
(S) 10 - 3/8"




STANDARD MODELS

(S)	$\phi A1/\phi A2$	REF.		CH	B
10	3/8" BSP	504.210002AC	300	22	67.5
	3/8" NPTF	504.210002BC			

(S) 13 - 1/2"



STANDARD MODELS

(S)	$\phi A1/\phi A2$	REF.		CH	B
13	1/2" BSP	504.210003AD	300	30	77
	1/2" NPTF	504.210003BD			

504-8

INTEVA reserves the right to make modifications to its products without prior notice. Any external or internal alterations to our products will automatically void the warranty.



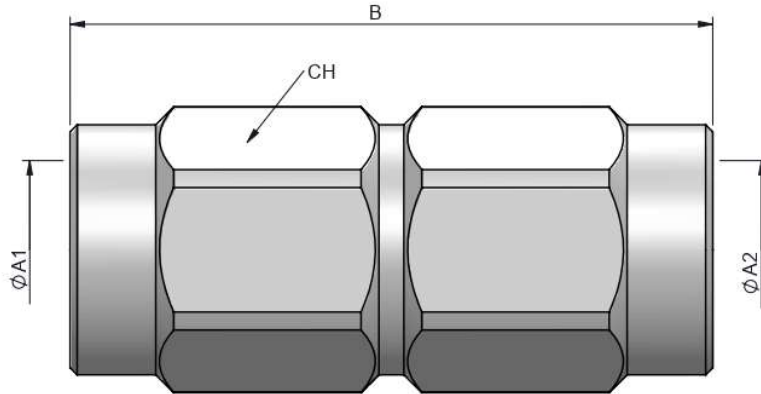


504 SERIES ATR


CHECK VALVES
SS316



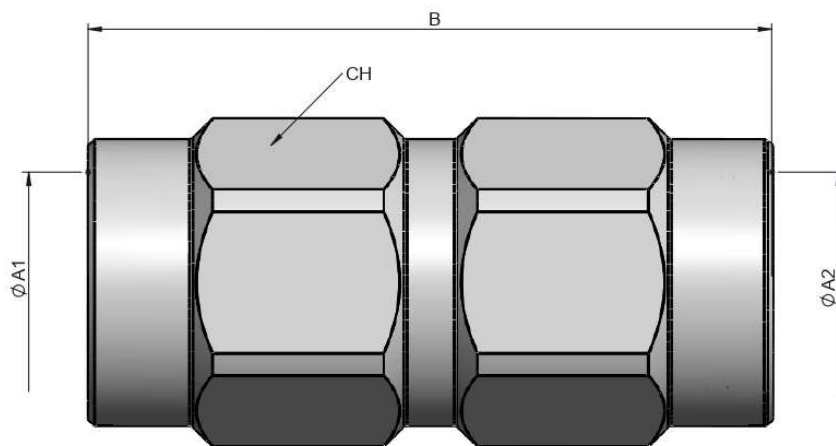
(S) 20 - 3/4"




STANDARD MODELS

(S)	ØA1/ØA2	REF.		CH	B
20	3/4" BSP	504.210004AE	300	36	90
	3/4" NPTF	504.210004BE			

(S) 25 - 1"



STANDARD MODELS

(S)	ØA1/ØA2	REF.		CH	B
25	1" BSP	504.210005AF	300	46	106
	1" NPTF	504.210005BF			

504-9

INTEVA reserves the right to make modifications to its products without prior notice. Any external or internal alterations to our products will automatically void the warranty.



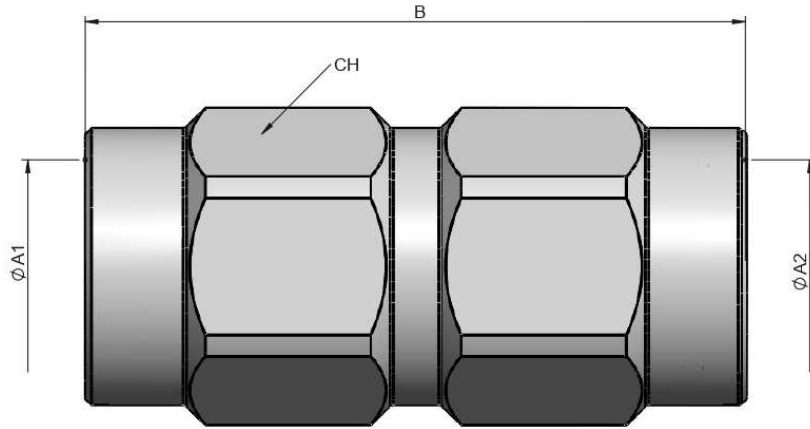


504 SERIES ATR


CHECK VALVES
SS316



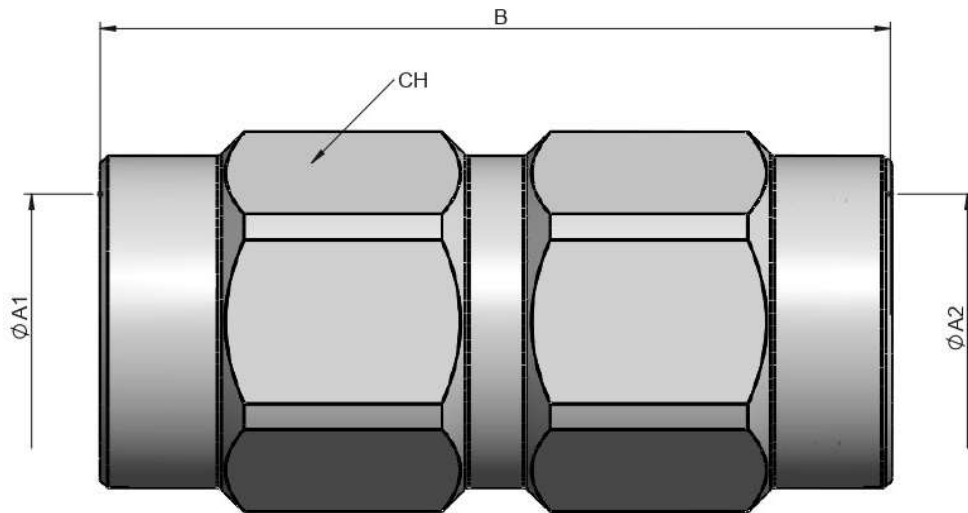
(S) 32 – 1 1/4"




STANDARD MODELS

(S)	ØA1/ØA2	REF.		CH	B
32	1 1/4" BSP	504.210006AG	300	55	125
	1 1/4" NPTF	504.210006BG			

(S) 40 – 1 1/2"



STANDARD MODELS

(S)	ØA1/ØA2	REF.		CH	B
40	1 1/2" BSP	504.210007AH	300	60	140
	1 1/2" NPTF	504.210007BH			

504-10

INTEVA reserves the right to make modifications to its products without prior notice. Any external or internal alterations to our products will automatically void the warranty.



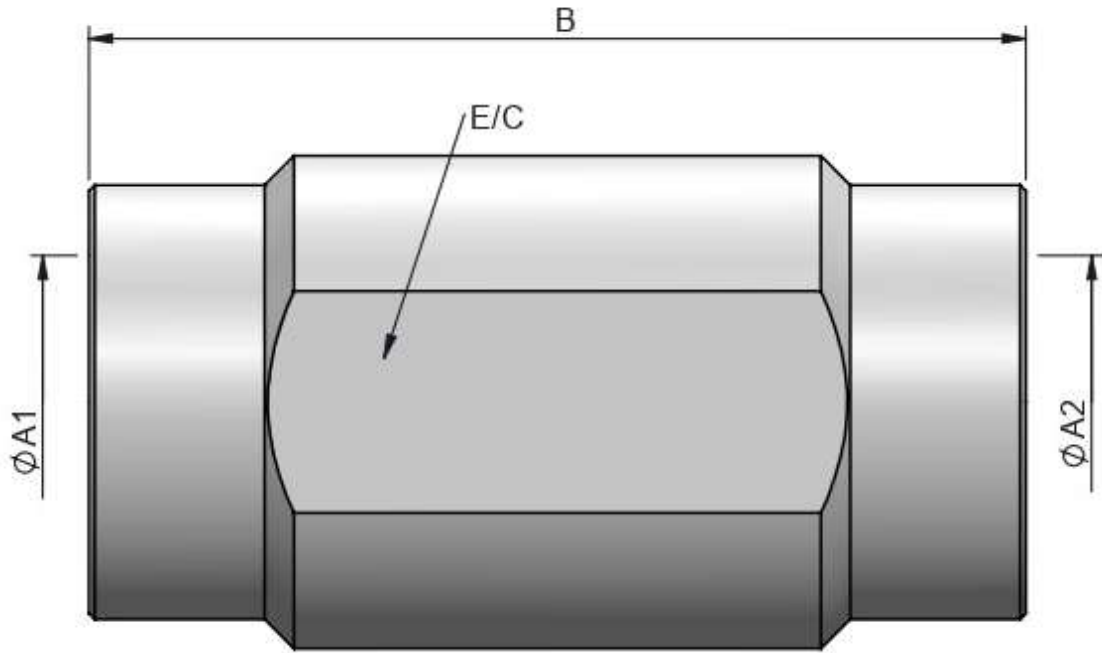


504 SERIES ATR


CHECK VALVES
SS316



(S) 50 – 2"



STANDARD MODELS

(S)	ØA1/ØA2	REF.		E/C	B
50	2" BSP	504.210008AI	200	75	160
	2" NPTF	504.210008BI			

504-11

INTEVA reserves the right to make modifications to its products without prior notice. Any external or internal alterations to our products will automatically void the warranty.





504 SERIES ATR

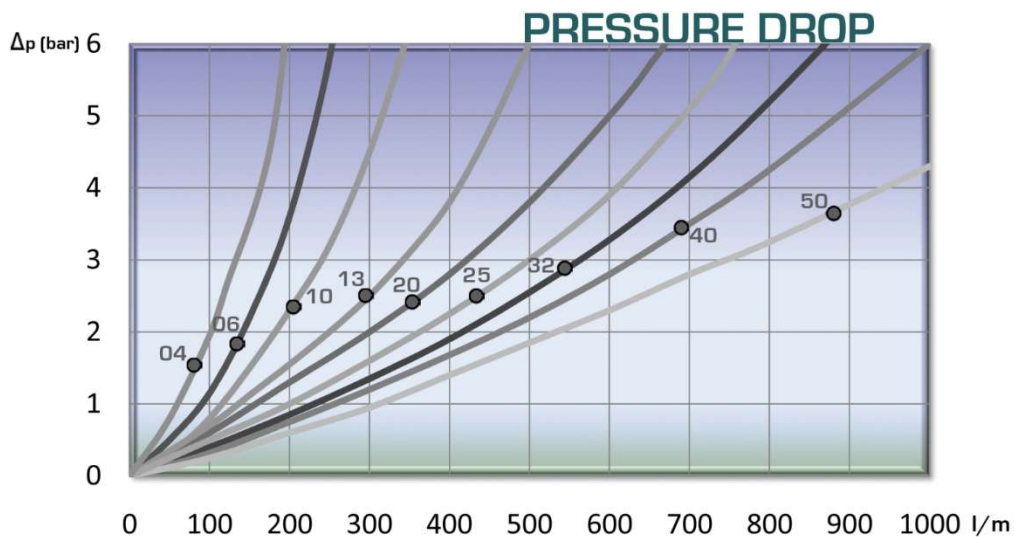
CARBON STEEL & SS316



TECHNICAL DATA

(S)	Max. Rated Flow	Max. Working Pressure	Min. Burst Pressure
	l/m / GPM	Bar / psi	Bar / psi
04	8 / 2.11	300 / 4350	1200 / 17400
06	26 / 6.87	300 / 4350	1200 / 17400
10	44 / 11.6	300 / 4350	1200 / 17400
13	90 / 23.85	300 / 4350	1200 / 17400
20	152 / 40.2	300 / 4350	1200 / 17400
25	200 / 52.8	300 / 4350	1200 / 17400
32	370 / 97.8	300 / 4350	1200 / 17400
40	598 / 158	300 / 4350	1200 / 17400
50	875 / 231	200 / 2900	800 / 11600

Test performed according to ISO 18869



504-12

INTEVA reserves the right to make modifications to its products without prior notice. Any external or internal alterations to our products will automatically void the warranty.





505 SERIES ATR

CHECK VALVES
THREAD MALE - FEMALE

TECHNICAL SPECIFICATIONS

Features: Designed to avoid back flow in circuit.
Metal closure (no O-ring): Steel construction without seals or other components to wear out.
High resistance to pressure peaks.
5 psi standard opening pressure. Other opening pressures on request.

Available Size: 1/8" a 2"

Operating pressure: Up to 300 Bar

Materials: Body: Carbon Steel EN 10277-3
Stainless Steel 316

O-rings: NBR / VITON / EPDM

Springs: EN 10270-3/-1/SH

Available Threads: BSP*

Closing System: Poppet (without o-ring) / Available with O-rings

Applications: Designed for oil hydraulic (Group II- 2014/68/EU)

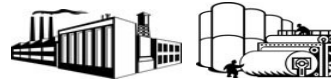
Interchangeable: GROMELLE 4000 / DMIC CVH
PARKER DC / SNAP TITE CPIFF

Working Temperature (O-rings)

	NBR	Viton	EPDM
+	+100°C	+200°C	+150°C
-	-30°C	-10°C	-40°C

Sectors:

Carbon Steel → Industrial



Stainless Steel → Industrial / Chemical / Offshore



*On request and minimum quantity.

MODEL STRUCTURE

Example:

505.110008 AT

Series	Materials	Closing	O-ring	Opening pressure ± 0,3	Size (S)	Thread
505.	1 Carbon St. 2 SS316	1 Poppet	0 Without	00 0.34 Bar / 5 psi	0 4	2 letters as per Table of Threads
			1 NBR (90Sh)	10 1 Bar / 14psi	1 6	
	2 VITON		25 2.5 Bar / 36 psi	2 10		
	3 EPDM		45 4.5 Bar / 65 psi	3 13		
			60 6 Bar / 87 psi	4 20		
			80 8 Bar / 115 psi	5 25		
			99 10 Bar / 145 psi	6 32		
				7 40		
				8 50		

505-1

INTEVA reserves the right to make modifications to its products without prior notice. Any external or internal alterations to our products will automatically void the warranty.

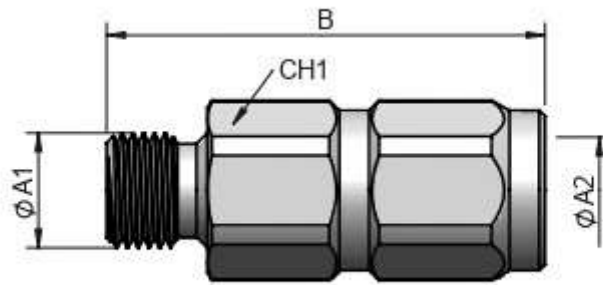





505 SERIES ATR

CHECK VALVES
THREAD MALE - FEMALE

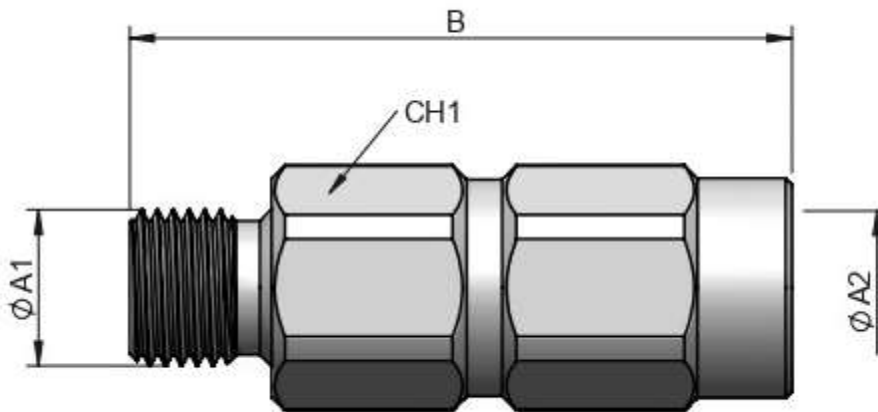
(S) 04 - 1/8"




STANDARD MODELS

(S)	ØA1	ØA2	REF.		CH1	B
04	1/8" BSP M.	1/8" BSP	505.110000AL	300	14	37

(S) 06 - 1/4"



STANDARD MODELS

(S)	ØA1	ØA2	REF.		CH1	B
6	1/4" BSP M.	1/4" BSP	505.110001AM	300	19	56

505-2

INTEVA reserves the right to make modifications to its products without prior notice. Any external or internal alterations to our products will automatically void the warranty.

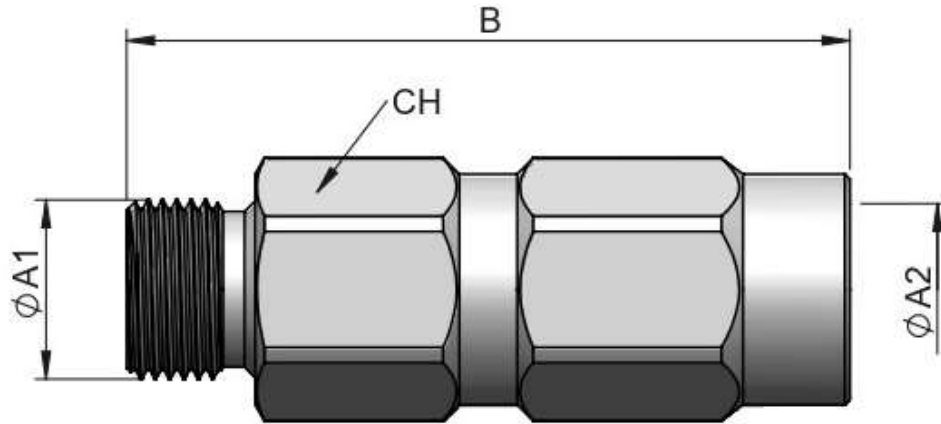





505 SERIES ATR

CHECK VALVES
THREAD MALE - FEMALE

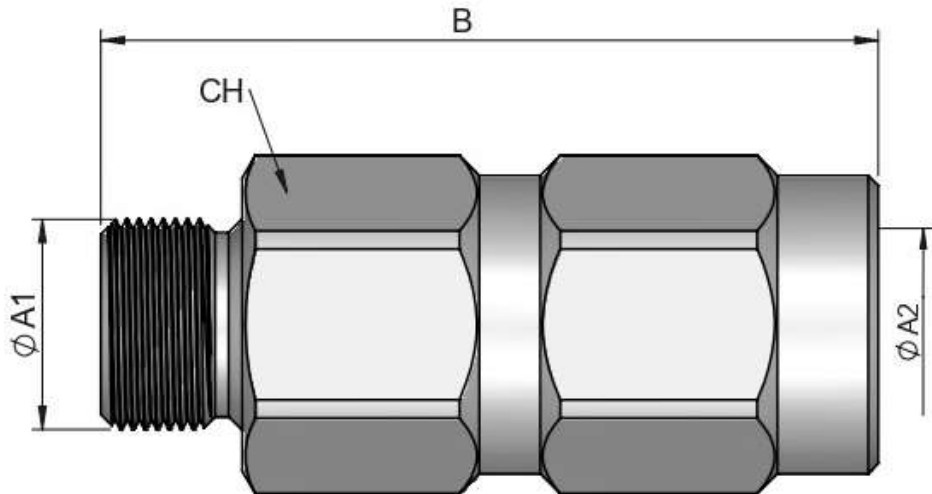
(S) 10 - 3/8"




STANDARD MODELS

(S)	ØA1	ØA2	REF.		CH1	B
10	3/8" BSP M.	3/8" BSP	505.110002AN	300	22	70

(S) 13 - 1/2"



STANDARD MODELS

(S)	ØA1	ØA2	REF.		CH1	B
13	1/2" BSP	1/2" BSP	505.110003AO	300	30	77

505-3

INTEVA reserves the right to make modifications to its products without prior notice. Any external or internal alterations to our products will automatically void the warranty.

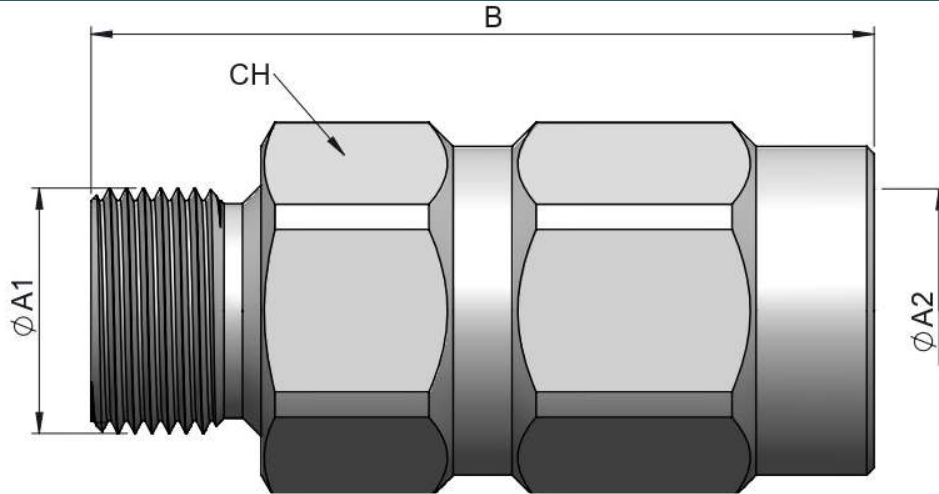





505 SERIES ATR

CHECK VALVES
THREAD MALE - FEMALE

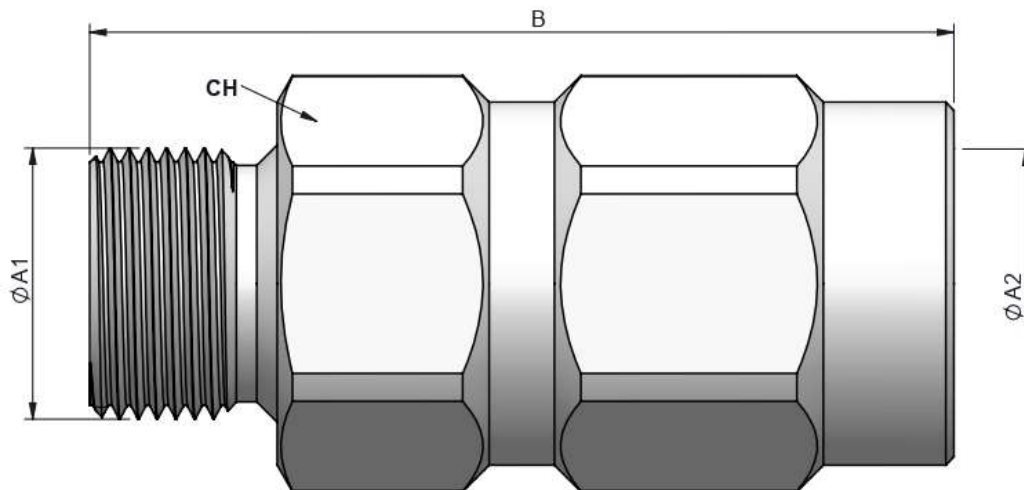
(S) 20 - 3/4"




STANDARD MODELS

(S)	ØA1	ØA2	REF.		CH1	B
20	3/4" BSP M.	3/4" BSP	505.110006AR	300	36	90

(S) 25 - 1"



STANDARD MODELS

(S)	ØA1	ØA2	REF.		CH	B
25	1" BSP M.	1" BSP	505.110007AS	300	46	106

505-4

INTEVA reserves the right to make modifications to its products without prior notice. Any external or internal alterations to our products will automatically void the warranty.

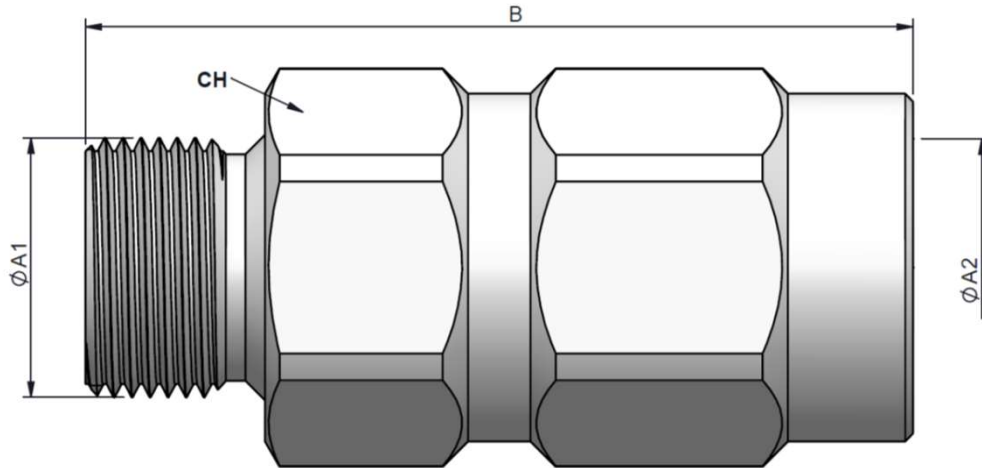





505 SERIES ATR

CHECK VALVES
THREAD MALE - FEMALE

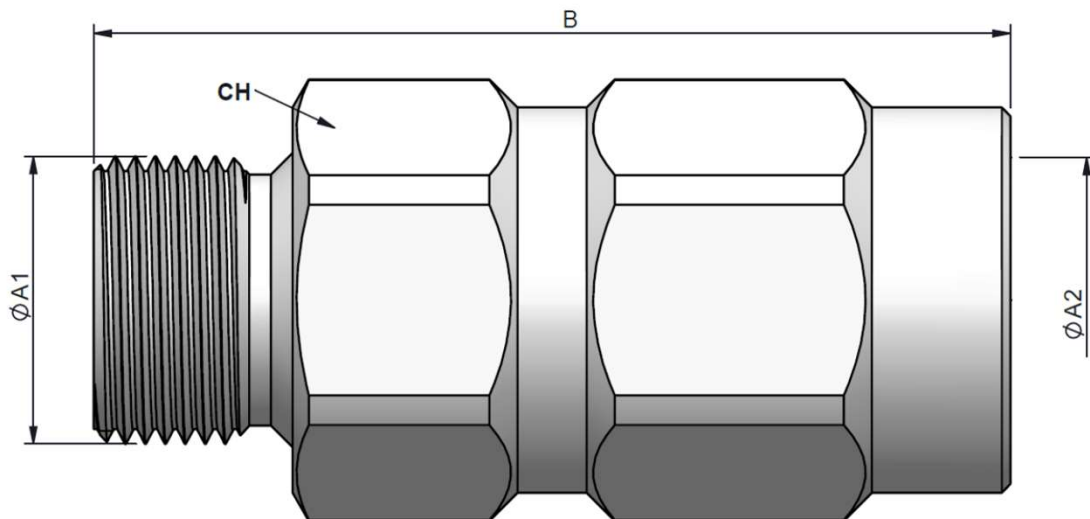
(S) 32 – 1 1/4"




STANDARD MODELS

(S)	ØA1	ØA2	REF.		CH	B
32	1 1/4" BSP	1 1/4" BSP	505.110006AR	300	36	90

(S) 40 – 1 1/2"



STANDARD MODELS

(S)	ØA1	ØA2	REF.		CH	B
40	1 1/2" BSP	1 1/2" BSP	505.110007AS	300	46	106

505-5

INTEVA reserves the right to make modifications to its products without prior notice. Any external or internal alterations to our products will automatically void the warranty.

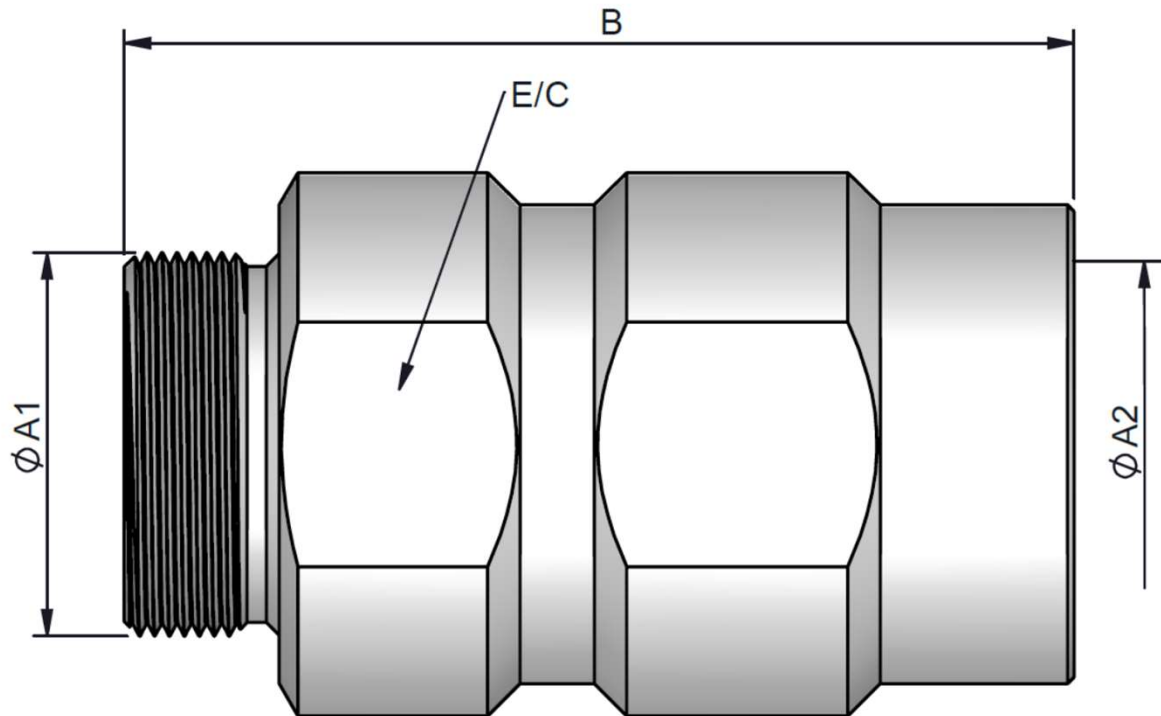





505 SERIES ATR

CHECK VALVES
THREAD MALE - FEMALE

(S) 50 – 2"



STANDARD MODELS

(S)	ØA1	ØA2	REF.		E/C	B
50	2" BSP	2" BSP	505.110008AT	200	75	160

505-6

INTEVA reserves the right to make modifications to its products without prior notice. Any external or internal alterations to our products will automatically void the warranty.





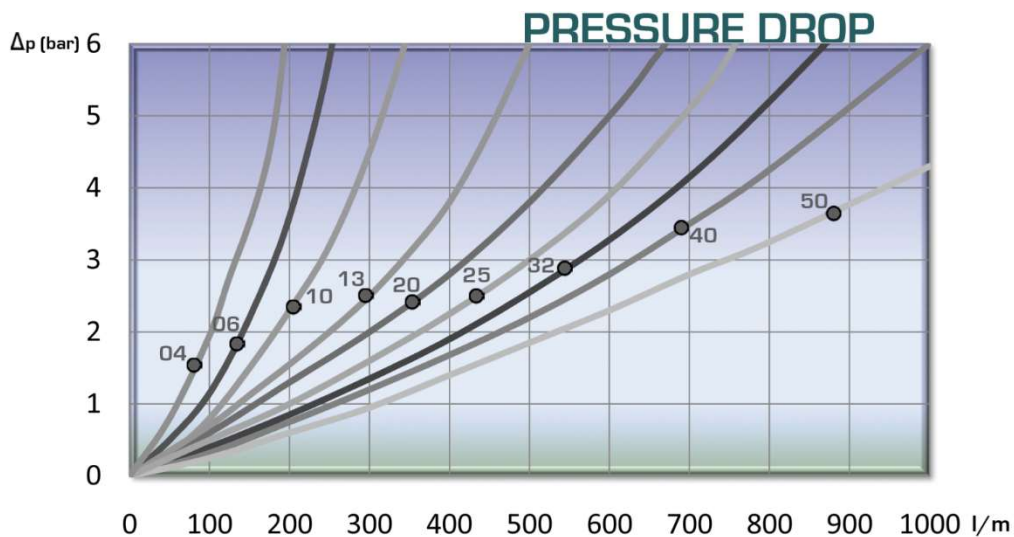
505 SERIES ATR

THREAD MALE – FEMALE
CARBON STEEL & SS316

TECHNICAL DATA

(S)	Max. Rated Flow	Max. Working Pressure	Min. Burst Pressure
	l/m / GPM	Bar / psi	Bar / psi
04	8 / 2.11	300 / 4350	1200 / 17400
06	26 / 6.87	300 / 4350	1200 / 17400
10	44 / 11.6	300 / 4350	1200 / 17400
13	90 / 23.85	300 / 4350	1200 / 17400
20	152 / 40.2	300 / 4350	1200 / 17400
25	200 / 52.8	300 / 4350	1200 / 17400
32	370 / 97.8	300 / 4350	1200 / 17400
40	598 / 158	300 / 4350	1200 / 17400
50	875 / 231	200 / 2900	800 / 11600

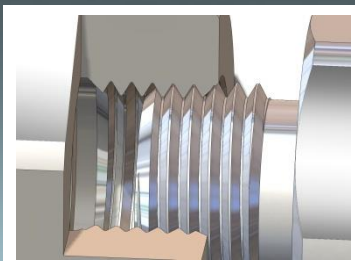
Test performed according to ISO 18869



505-7

INTEVA reserves the right to make modifications to its products without prior notice. Any external or internal alterations to our products will automatically void the warranty.

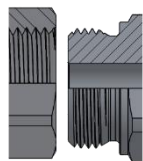




999 SERIES THREADS

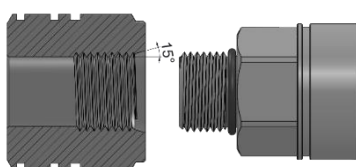
ISO 261 METRIC THREADS - PORT / CONNECTION

DIN 3852-1 B / ISO 9974



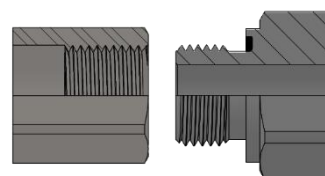
THREAD	FEMALE	MALE
M8X1	NA	PA
M10X1	NB	PB
M12X1.5	NC	PC
M14X1.5	ND	PD
M16X1.5	NE	PE
M18X1.5	NF	PF
M20X1.5	NG	PG
M22X1.5	NH	PH
M24X1.5	NI	PI
M26X1.5	NO	PO
M27X2	-	-
M30X2	NJ	PJ
M33X2	NK	PK
M42X2	NL	PL
M48X2	NM	PM
M60X2	-	-

ISO 6149-2 (ORB)



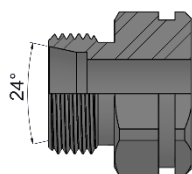
THREAD	FEMALE	MALE
M8X1	EA	OA
M10X1	EC	OC
M12X1.5	EE	OE
M14X1.5	EF	OF
M16X1.5	EG	OG
M18X1.5	EH	OH
M20X1.5	EK	OK
M22X1.5	EM	OM
M24X1.5	-	-
M26X1.5	-	-
M27X2	-	-
M30X2	EJ	OJ
M33X2	EQ	OQ
M42X2	ET	OT
M48X2	EU	OU
M60X2	EV	OV

ISO 9974-2 (E) / DIN 3852-11



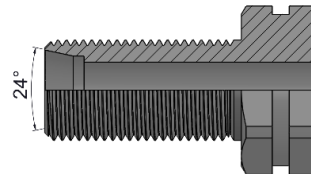
THREAD	FEMALE	MALE
M8X1	NA	QA
M10X1	NB	QB
M12X1.5	NC	QC
M14X1.5	ND	QD
M16X1.5	NE	QE
M18X1.5	NF	QF
M20X1.5	NG	QG
M22X1.5	NH	QH
M24X1.5	-	-
M26X1.5	NO	QO
M27X2	-	-
M30X2	NJ	QJ
M33X2	NK	QK
M42X2	NL	QL
M48X2	NM	QM
M60X2	-	-

ISO 8434-1 / DIN 3861

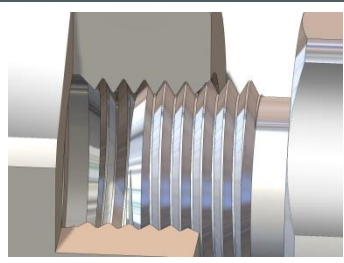


THREAD	LIGHT SERIES		HEAVY SERIES	
M12X1.5	6L	JB	-	-
M14X1.5	8L	JC	-	-
M16X1.5	10L	JD	8S	KD
M18X1.5	12L	JE	10S	KE
M20X1.5	-	-	12S	KF
M22X1.5	15L	JG	14S	KG
M24X1.5	-	-	16S	KH
M26X1.5	18L	JI	-	-
M30X2	22L	JJ	20S	KJ
M36X2	28L	JK	25S	KK
M42X2	-	-	30S	KL
M45X2	35L	JM	-	-
M52X2	42L	JN	38S	KN

ISO 8434-1 / DIN 3861



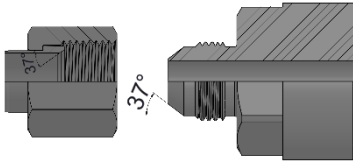
THREAD	LIGHT SERIES		HEAVY SERIES	
M12X1.5	6L	LB	-	-
M14X1.5	8L	LC	-	-
M16X1.5	10L	LD	8S	MD
M18X1.5	12L	LE	10S	ME
M20X1.5	-	-	12S	MF
M22X1.5	15L	LG	14S	MG
M24X1.5	-	-	16S	MH
M26X1.5	18L	LI	-	-
M30X2	22L	LJ	20S	MJ
M36X2	28L	LK	25S	MK
M42X2	-	-	30S	ML
M45X2	35L	LM	-	-
M52X2	-	-	38S	MN



999 SERIES THREADS

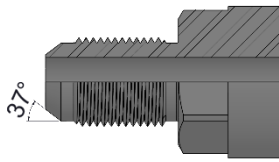
UNIFIED SCREW THREADS ASME B1.1 – PORT / CONNECTION

SAE 37° (JIC) /
SAE J514 / ISO 8434-2



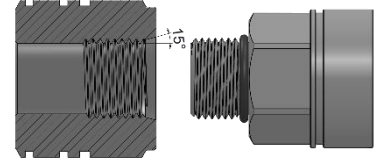
THREAD	FEMALE	MALE
3/8"- 24h UNF	UA	YA
7/16"- 20h UNF	UB	YB
1/2"- 20h UNF	UC	YC
9/16"- 18h UNF	UD	YD
11/16"- 16h UN	UE	YE
3/4"- 16h UNF	UF	YF
13/16"- 16h UN	UG	YG
7/8"- 14h UNF	UH	YH
1" – 14 UNS	-	-
1 1/16"- 12h UN	UK	YK
1 3/16"- 12h UN	UM	YM
1 5/16"- 12h UN	UO	YO
1 7/16"- 12h UN	UQ	YQ
1 5/8"- 12h UN	UT	YT
1 11/16"- 12h UN	UU	YU
1 7/8"- 12h UN	UV	YV

SAE 37° (JIC) / SAE J514 / ISO 8434-2
BULKHEAD



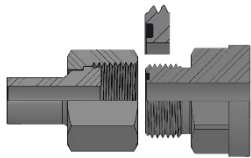
THREAD	FEMALE	MALE
3/8"- 24h UNF	-	YAP
7/16"- 20h UNF	-	YBP
1/2"- 20h UNF	-	YCP
9/16"- 18h UNF	-	YDP
11/16"- 16h UN	-	YEP
3/4"- 16h UNF	-	YFP
13/16"- 16h UN	-	YGP
7/8"- 14h UNF	-	YHP
1" – 14 UNS	-	-
1 1/16"- 12h UN	-	YKP
1 3/16"- 12h UN	-	YMP
1 5/16"- 12h UN	-	YOP
1 7/16"- 12h UN	-	YQP
1 5/8"- 12h UN	-	YTP
1 11/16"- 12h UN	-	YUP
1 7/8"- 12h UN	-	YVP

SAE J1926 / ISO 11926
(ORB)



THREAD	FEMALE SAE J1926-1	MALE SAE J1926-2
3/8"- 24h UNF	GA	HA
7/16"- 20h UNF	GB	HB
1/2"- 20h UNF	GC	HC
9/16"- 18h UNF	GD	HD
11/16"- 16h UN	GE	HE
3/4"- 16h UNF	GF	HF
13/16"- 16h UN	GG	HG
7/8"- 14h UNF	GH	HH
1" – 14 UNS	-	-
1 1/16"- 12h UN	GK	HK
1 3/16"- 12h UN	GM	HM
1 5/16"- 12h UN	GO	HO
1 7/16"- 12h UN	GQ	HQ
1 5/8"- 12h UN	GT	HT
1 11/16"- 12h UN	GU	HU
1 7/8"- 12h UN	GV	HV

SAE J1453 / ISO 8434-3
(ORFS)



THREAD	FEMALE	MALE
3/8"- 24h UNF	-	-
7/16"- 20h UNF	-	-
1/2"- 20h UNF	-	-
9/16"- 18h UNF	VD	ZD
11/16"- 16h UN	VE	ZE
3/4"- 16h UNF	-	-
13/16"- 16h UN	VG	ZG
7/8"- 14h UNF	-	-
1" – 14 UNS	VI	ZI
1 1/16"- 12h UN	-	-
1 3/16"- 12h UN	VM	ZM
1 5/16"- 12h UN	VO	ZO
1 7/16"- 12h UN	VQ	ZQ
1 5/8"- 12h UN	-	-
1 11/16"- 12h UN	VU	ZU
1 7/8"- 12h UN	-	-

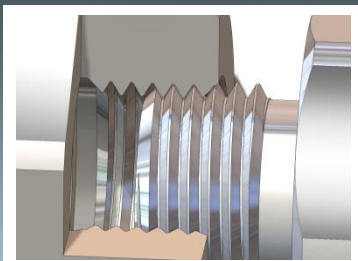
SAE J1453 / ISO 8434-3
(ORFS BULKHEAD)



THREAD	FEMALE	MALE
3/8"- 24h UNF	-	ZAP
7/16"- 20h UNF	-	ZBP
1/2"- 20h UNF	-	ZCP
9/16"- 18h UNF	-	ZDP
11/16"- 16h UN	-	ZEP
3/4"- 16h UNF	-	ZFP
13/16"- 16h UN	-	ZGP
7/8"- 14h UNF	-	ZHP
1" – 14 UNS	-	ZIP
1 1/16"- 12h UN	-	ZKP
1 3/16"- 12h UN	-	ZMP
1 5/16"- 12h UN	-	ZOP
1 7/16"- 12h UN	-	ZQP
1 5/8"- 12h UN	-	ZTP
1 11/16"- 12h UN	-	ZUP
1 7/8"- 12h UN	-	ZVP

SPECIALS

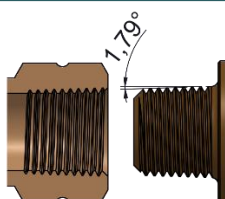
THREAD	FEMALE	MALE
3/8"- 24h UNF	VA	ZA
7/16"- 20h UNF	VB	ZB
1/2"- 20h UNF	VC	ZC
3/4"- 16h UNF	VF	ZF
7/8"- 14h UNF	VH	ZH
1 1/16"- 12h UN	VK	ZK
1 5/8"- 12h UN	VT	ZT
1 7/8"- 12h UN	VV	ZV



999 SERIES THREADS

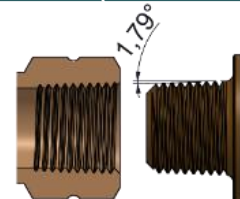
TAPERED THREAD

NPTF
ASME B1.20.3



THREAD	FEMALE	MALE
1/8"	BA	BL
1/4"	BB	BM
3/8"	BC	BN
1/2"	BD	BO
3/4"	BE	BP
1"	BF	BQ
1 1/4"	BG	BR
1 1/2"	BH	BS
2"	BI	BT
2 1/2"	BJ	BU
3"	BK	BV

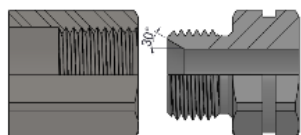
BSPT
ISO 7/1 (DIN 3852-2 C)



THREAD	FEMALE	MALE
1/8"	DA	DL
1/4"	DB	DM
3/8"	DC	DN
1/2"	DD	DO
3/4"	DE	DP
1"	DF	DQ
1 1/4"	DG	DR
1 1/2"	DH	DS
2"	DI	DT
2 1/2"	-	-
3"	-	-

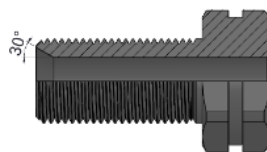
ISO 228/1 BSP THREADS

BSP / BS5200



THREAD	FEMALE	MALE
1/8"	AA	AL
1/4"	AB	AM
3/8"	AC	AN
1/2"	AD	AO
3/4"	AE	AP
1"	AF	AQ
1 1/4"	AG	AR
1 1/2"	AH	AS
2"	AI	AT
2 1/2"	AJ	AU
3"	AK	AV

BSPP / BS5200
BULKHEAD



THREAD	FEMALE	MALE
1/8"	-	CL
1/4"	-	CM
3/8"	-	CN
1/2"	-	CO
3/4"	-	CP
1"	-	CQ
1 1/4"	-	CR
1 1/2"	-	CS
2"	-	CT
2 1/2"	-	-
3"	-	-

SPECIALS

THREAD	
M20X1.5 (13.5)	KFA
M20X1.5 (CONO 60°)	KFB
M16X1.5 BULKHEAD M20X1.5	JDA
M22X1.5 PROLOGADA	JGA
M22X1.5 15L LONG. HEX 35MM	JGB
M22X1.5 BULKHEAD PROLOGADA	LGA
3/4" 16h UNF (SIN CONO 37°)	HFA
3/4" 16h UNF (CILINDRICA)	GFA



C/ Berguedà nº 14-16 P.I. Can Bernadés Subirà
08130 Santa Perpètua de la Mogoda
BARCELONA (SPAIN)
Tel / Phone +34 93 560 79 43
Fax +34 93 574 30 94