

Stacking Pressure-Relief Valve, ISO Size 03

$Q_{max} = 80 \text{ l/min}$, $p_{max} = 350 \text{ bar}$
seated pilot stage, spool-type, main stage
Series SDVB...



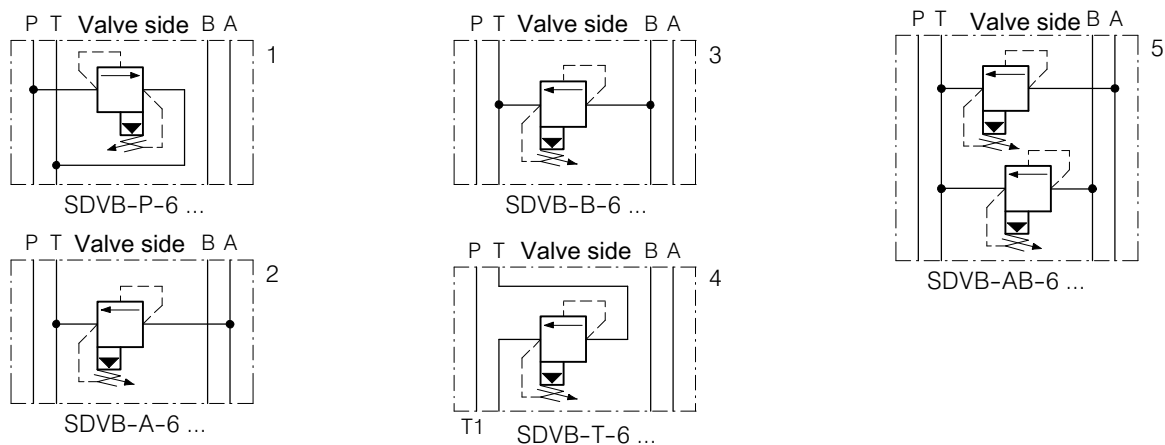
- With two-stage 10 mm pressure relief cartridge Series DVPA-1-10...
- 350 bar, 80 l/min on all ports
- Optionally available with hand knob
- Also available with solenoid controlled two-pressure cartridge, series WUVPB-1...-10
- With ISO 4401 / CETOP R35H size 3, NFPA D03, DIN 24 340 A6 interface

1 Description

Series SDVB...-6 stack valves are used for independent pressure relief in the P-, A-, B-, T- or A- and B- lines. They are equipped with the two-stage pressure relief cartridge DVPA-1-10... When closed, the valves shut off the relief path with spool-type leakage (see performance

characteristics). The screw-in design of the cartridge valve provides for straight-forward, trouble-free maintenance. Interface sealing is by means of O-rings which are retained in counterbores in the valve body.

2 Symbols



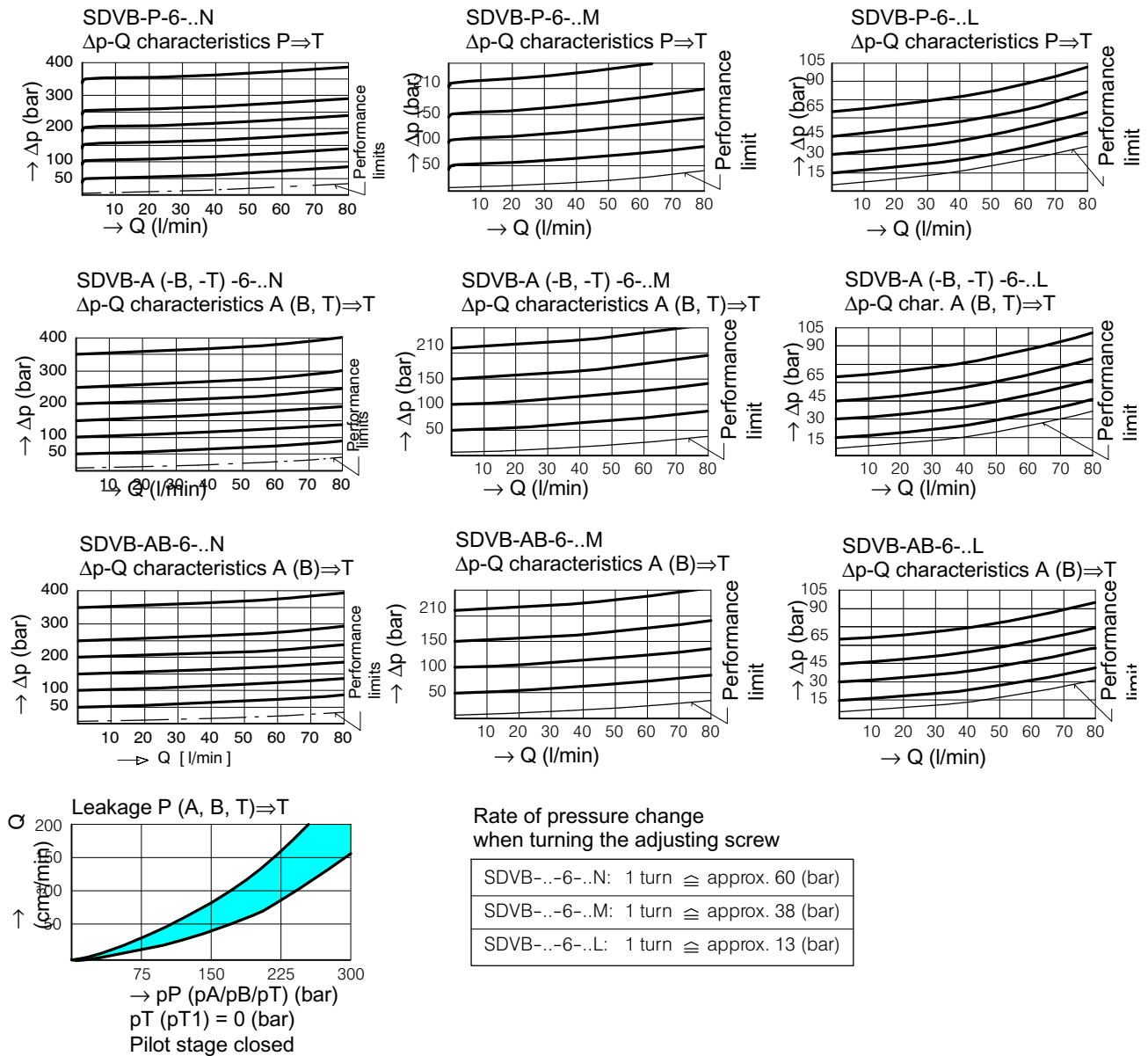
3 Characteristics

Type		stacking pressure relief valve
Design		two-stage, sliding spool
Mounting method		stack mounting
Size		ISO 4401 size 3 interface
Mass	kg	SDVB-P / -A / -B / -T-6 = 1,37 SDVB-AB-6 = 2,15
Mounting attitude		unrestricted
Flow direction		see symbols

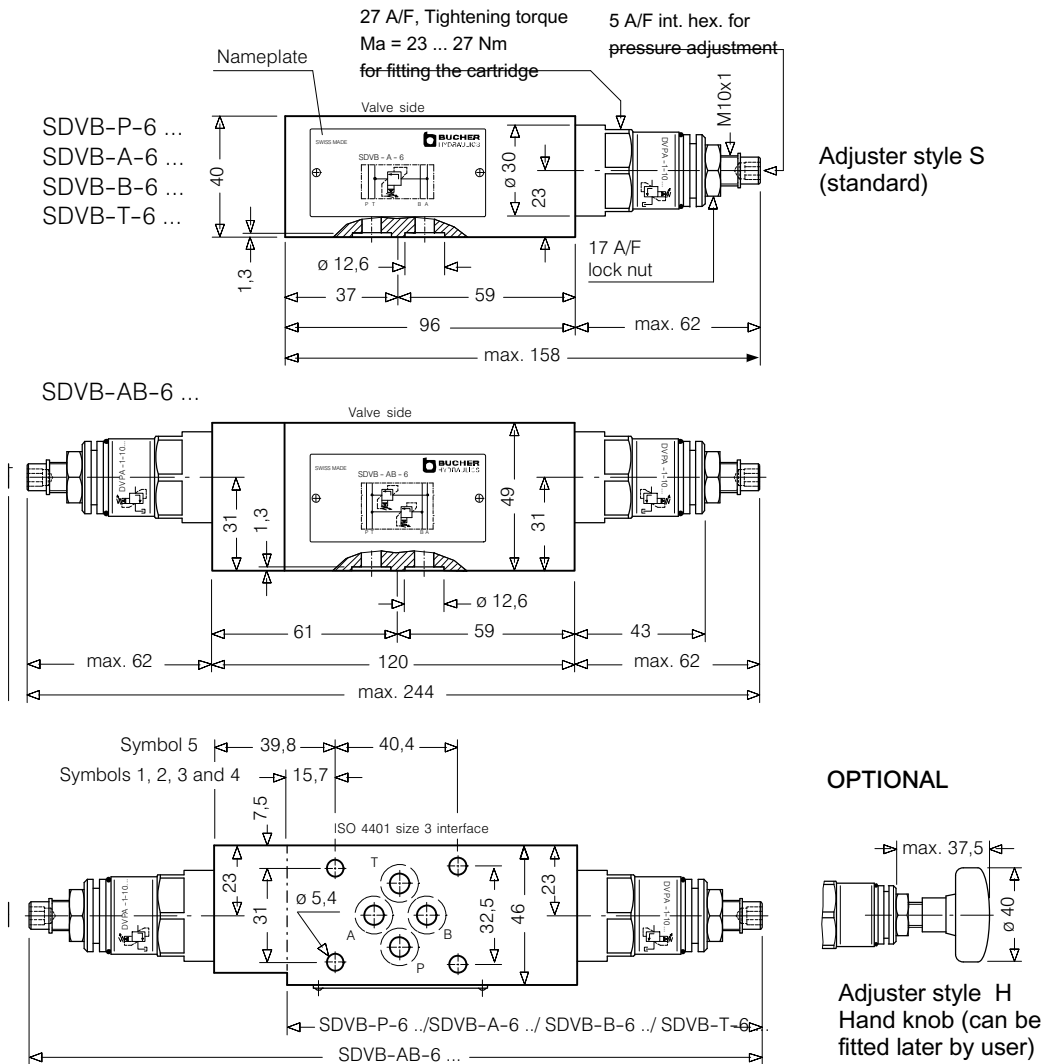
Operating pressure	bar	... 350 in P, A, B and T
Pressure adjustment range	bar	pressure range N = 010 ... 350 pressure range M = 010 ... 210 pressure range L = 010 ... 065
Flow rate Q _{max}	l/min	80, see performance limits
Fluids		Hydraulic oils HL and HLP to DIN 51 524 other fluids - contact BUCHER
Fluid temperature range & ambient temp.	°C	-25 ... +80
Viscosity range	cSt	10 ... 650, recommended: 15 ... 250
Minimum fluid cleanliness		18/14 to ISO 4406 /CETOP RP70H 8 ... 9 to NAS 1638

4 Performance graphs

Oil viscosity 33 cSt



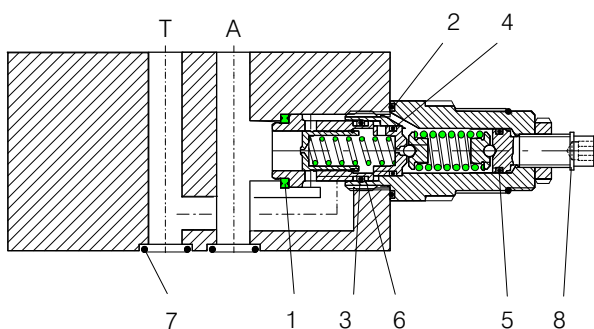
5 Dimensions



6 Schematic section

showing the relevant ports

Ex. SDVB-A-6



Seat kit no. DS-259, comprising *):

Itm.	Qty.	Qty.	Description	Size
1	1	2*)	Seal	Ø 22,1 / 16,1 x 2,5
2	1	2*)	O-ring no. 021	Ø 23,52 x 1,78 N90
3	1	2*)	O-ring no.	Ø 14,00 x 2,00 N90
4	1	2*)	O-ring no. 013	Ø 10,82 x 1,78 N90
5	1	2*)	O-ring no. 012	Ø 9,25 x 1,78 N90
6	2	4*)	Backup ring	Ø 13,7 x 1,4 x 1,15
7	4	4*)	O-ring no. 012	Ø 9,25 x 1,78 N90
8	1	2*)	Snap ring	Ø 9 Type SS

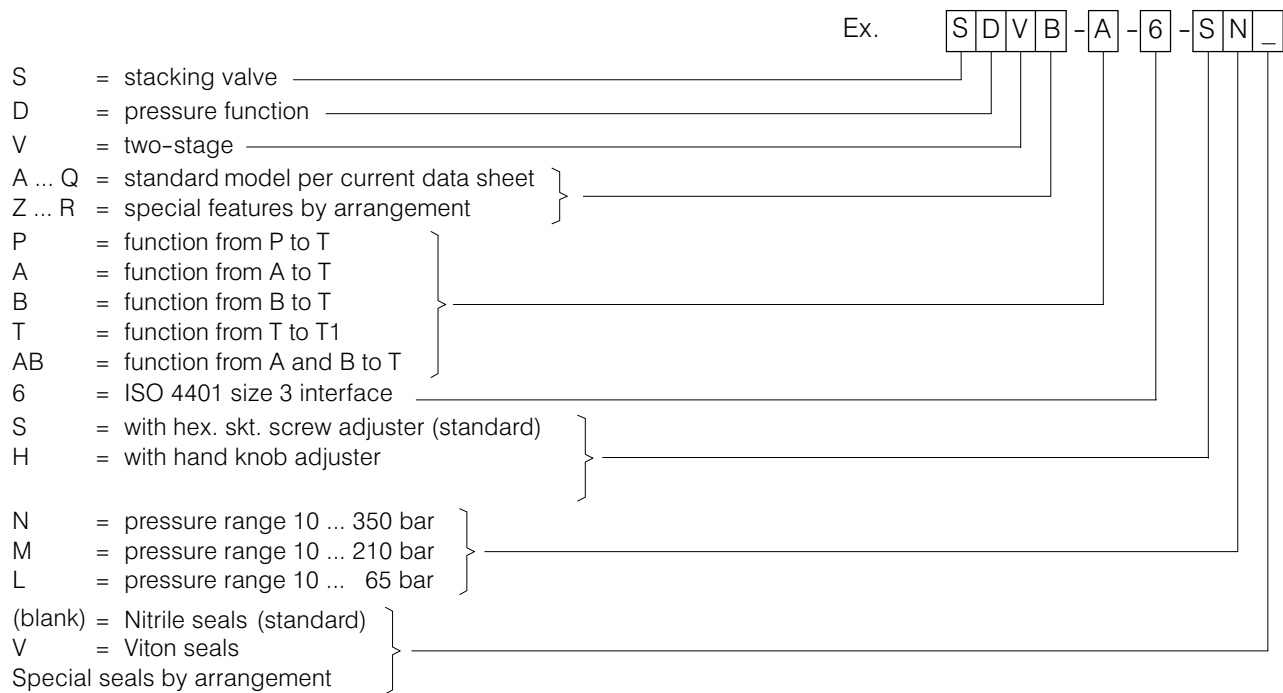
SDVB-AB-6 ...
SDVB-T/-B/-A/-P-6 ...

7 Installation and maintenance

All installation and maintenance must be carried out with care, and by qualified personnel only. At installation, be sure to mount the valve with the correct faces contacting the adjacent units and with all interface connections lining up

properly. When changing seals, the new seals should be thoroughly oiled or greased before fitting them to the valve. Use the correct tightening torque when fitting the cartridge.

8 Model code key



9 Related data sheets

Old no.	New no.	
i-00	400-P-010101-E	Table of interface equivalents
i-31	400-P-030501-E	DIN 24 340 size A6 interface
D-4.31	400-P-280101-E	Two-stage pressure relief cartridge, 10 mm, series DVPA-1-10 ...

info.ch@bucherhydraulics.com

www.bucherhydraulics.com

© 2020 by Bucher Hydraulics AG Frutigen, CH-3714 Frutigen

All rights reserved.

Data is provided for the purpose of product description only, and must not be construed as warranted characteristics in the legal sense. The information does not relieve users from the duty of conducting their own evaluations and tests. Because the products are subject to continual improvement, we reserve the right to amend the product specifications contained in this catalogue.

Classification: 450..