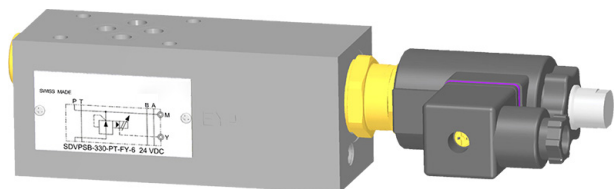


Proportional Pressure-Reducing Valve, ISO Size 03

$Q_{\max} = 60 \text{ l/min}$, $p_{\max} = 315 \text{ bar}$
Sandwich design, seated pilot stage
Series SDRPSB-5...



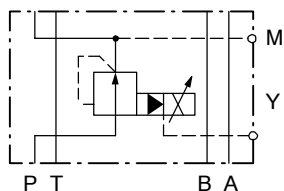
- With cartridge valve, type DRPSA-5D...-10...
- Interface to ISO 4401-03-02
- 5 pressure ranges available
- With pressure-gauge port
- External pilot-oil drain
- Very stable operation
- External cartridge parts are with zinc-nickel plating
- The slip-on coil can be rotated, and it can be replaced without opening the hydraulic envelope
- Various plug-connector systems and voltages are available

1 Description

Series SDRPSB-5... sandwich valves are high performance, proportional pressure-reducing valves with a size 03 interface to 4401-03-02. The main components of the valves are a sandwich body (stack-mounting body) and the screw-in, proportional pressure-reducing cartridge, type DRPSA-5D...-10. These sandwich valves are used to reduce the system pressure in mobile and industrial applica-

tions. All external parts of the cartridge are zinc-nickel plated according to DIN EN ISO 19 598 and are thus suitable for use in the harshest operating environments. The slip-on coils can be replaced without opening the hydraulic envelope and can be positioned at any angle through 360°. The sandwich body is sealed at its manifold side (the connections side) by means of O-rings fitted in counterbores.

2 Symbol



SDRPSB-5 ... -P-EY-6...

3 Technical data

General characteristics	Description, value, unit
Designation	proportional pressure-reducing valve
Design	sandwich design, seated pilot, spool-type main stage
Mounting method	4 x $\varnothing 5.4$ holes for M5 cap screws
Size	size 03 interface to ISO 4401-03-02 / DIN 24 340 A6
Weight	2.15 kg
Mounting attitude	unrestricted
Ambient temperature range	-25 °C ... +50 °C
Surface corrosion protection	without

Hydraulic characteristics	Description, value, unit
Maximum operating pressure	315 bar
Flow range	...60 l/min
Nominal pressure ranges	...60 bar, ... 100 bar, ...160 bar, ...250 bar, ...315 bar
Flow direction	see symbol
Hydraulic fluid	HL and HLP mineral oil to DIN 51 524; for other fluids, please contact BUCHER
Hydraulic fluid temperature range	-25 °C ... +70 °C
Viscosity range	15...380 mm ² /s (cSt), recommended 20...130 mm ² /s (cSt)
Minimum fluid cleanliness Cleanliness class to ISO 4406 : 1999	class 18/16/13

Electrical characteristics	Description, value, unit
Supply voltage	12 V DC, 24 V DC
Supply voltage tolerance	± 10 %
Control current	12 V = 0...1400 mA, 24 V = 0...750 mA
Power consumption at max. control current	max. 19 W
Coil resistance R - cold value at 20 °C - max. warm value	12 V = 5.8 Ω / 24 V = 21 Ω 12 V = 8.6 Ω / 24 V = 32 Ω
Recommended PWM frequency (dither)	200 Hz
Hysteresis with PWM	2...4 % I _N
Reversal error with PWM	1...3 % I _N
Sensitivity with PWM	≤ 1 % I _N
Reproducibility with PWM	< 2 % p _N
Relative duty cycle	100 %
Protection class to ISO 20 653 / EN 60 529	IP 65 / IP 67 / IP 69K, see "Ordering code" (with appropriate mating connector and proper fitting and sealing)
Electrical connection	DIN EN 175301-803, 3-pin 2 P+E (standard) for other connectors, see "Ordering code"

4 Performance graphs



IMPORTANT!

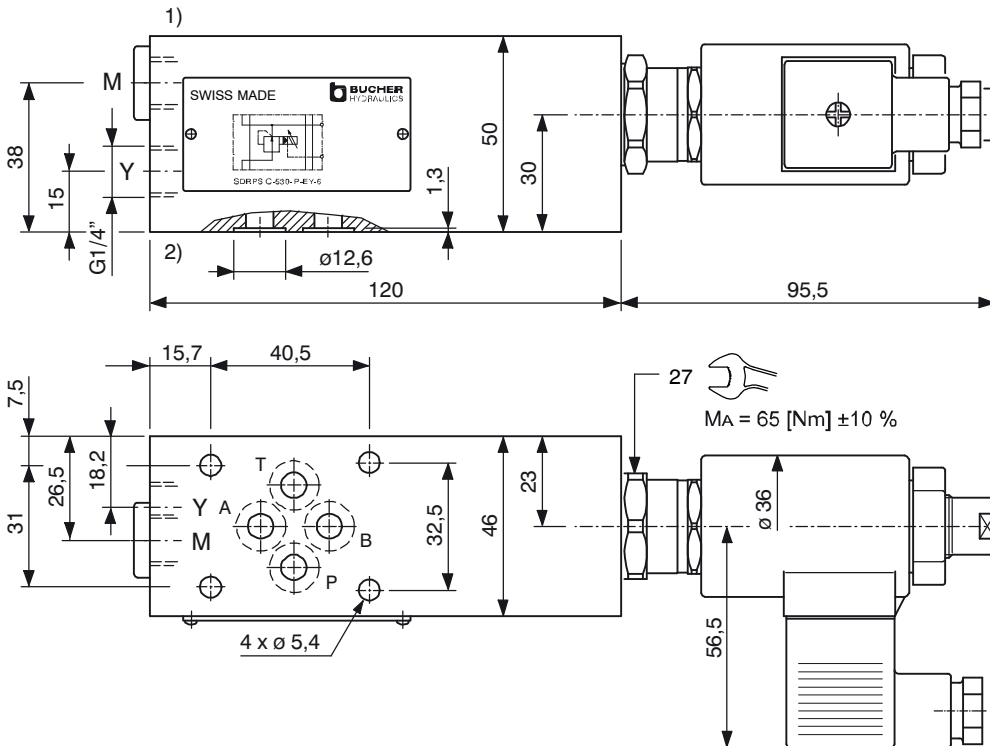
Detailed performance data and other hydraulic characteristics can be found in the data sheet for the proportional pressure-reducing cartridge that is fitted (data sheet ref. no. 400-P-581501-E).



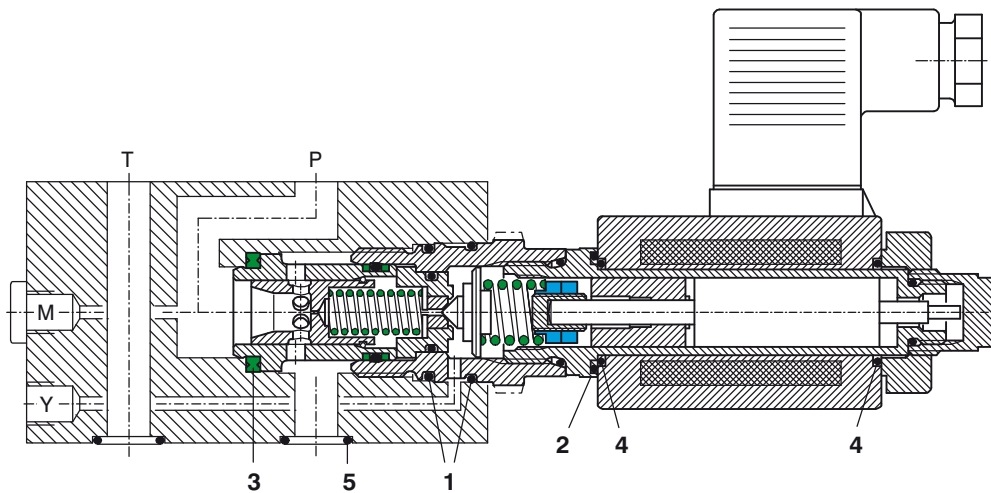
ATTENTION!

The performance figures in the data sheet for the cartridge valve refer just to the cartridge itself. Take into account the additional pressure drop in the body into which it is fitted.

5 Dimensions & sectional view



- 1) Valve side
 2) Connections side (manifold side)
 Y Pilot-oil drain (to tank without back-pressure)
 M Pressure-gauge port (with G 1/4" threaded plug, ED VSTI)



6 Installation information



IMPORTANT!

When installing the valve, make sure that the mating face (the manifold interface) aligns with the valve interface. Do not confuse the sandwich valve's manifold side and directional-valve side. No adjustments are necessary, since the cartridges are set in the factory.



ATTENTION!

To achieve the proportional pressure-reducing cartridge's maximum performance rating, fit the solenoid coil as shown (with the plug pins at the right). Use the specified tightening torque when fitting the cartridge.



ATTENTION!

Only qualified personnel with mechanical skills may carry out any maintenance work. Generally, the only work that should ever be undertaken is to check, and possibly replace, the seals. When changing seals, oil or grease the new seals thoroughly before fitting them.

Seal kit no. DS-345-N

Item	Qty.	Description
1	2	O-ring no. 020 Ø 21.95 x 1.78 N90
2	1	O-ring Ø 18.00 x 2.00 Viton
3	1	Seal ring Ø 22.10 / 16.50 x 2.50
4	2	O-ring Ø 16.00 x 2.00 Viton
5	4	O-ring no. 012 Ø 9.25 x 1.78 N90

7 Ordering code

Ex. **S** **DRP** **S** **B** - **5** **30** - **P** - **EY** - **6** - **24** **D** -

S	= sandwich valve	
DRP	= pressure-reducing cartridge, two stage	
S	= standard solenoid (proportional)	
A ... Q	= standard model - see relevant data sheets	
Z ... R	= special features - please consult BUCHER	
5	= pressure function 5 (external pilot drain to Y)	
30	= pressure range ...315 bar	
25	= pressure range ...250 bar	
16	= pressure range ...160 bar	
10	= pressure range ...100 bar	
06	= pressure range ... 60 bar	
P	= function in P	
EY	= sandwich body type	
6	= ISO size 03 interface	
(blank)	= NBR (Nitrile) seals (standard)	
V	= FKM (Viton) seals (special seals - please contact BUCHER)	
...	= voltage e.g. 24 (24 V)	
D	= current DC	
A	= current AC	
(blank)	= DIN EN 175301-803 connection with mating plug (standard, IP 65)	} mating plug not supplied
M100	= DIN EN 175301-803 connection without mating plug	
C	= Kostal plug connection (IP 65)	
JT	= Junior Timer radial plug connection (with protection diode, IP65)	
IT	= Junior Timer axial plug connection (with protection diode, IP65)	
D	= Deutsch plug connection 45° DT04-2P (IP67/69K)	
DT	= Deutsch plug connection 45° DT04-2P (with protection diode, IP67/69K)	
S	= AMP Superseal 1.5 (IP67) / Metri-Pack 150 (IP65) plug connection	
F	= flying leads (500 mm)	

8 Related data sheets

Reference	(Old no.)	Description
400-P-030501	(i-31)	Size 03 interface to ISO 4401-03-02
400-P-120110	(W-2.141)	Coils for screw-in cartridge valves
400-P-581501	(P-51.4 A_2)	Proportional pressure-reducing valve, size 10, series DRPSA-5D...-10...

info.ch@bucherhydraulics.com

www.bucherhydraulics.com

© 2021 by Bucher Hydraulics AG Frutigen, CH-3714 Frutigen

All rights reserved.

Data is provided for the purpose of product description only, and must not be construed as warranted characteristics in the legal sense. The information does not relieve users from the duty of conducting their own evaluations and tests. Because the products are subject to continual improvement, we reserve the right to amend the product specifications contained in this catalogue.

Classification: 430.305.305.330.315.310