

Proportional Throttle Cartridges, Size 10

$Q_{\max} = 140 \text{ l/min}$, $p_{\max} = 250 \text{ bar}$, $Q_N = 55 \text{ l/min at } \Delta p 10 \text{ bar}$

Two-Stage, with Seat-Valve Shut-Off

Series MVRPSBB-HG...



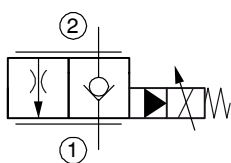
- Normally closed
- Seat-valve shut-off from 2 → 1
- Compact construction for cavity type DH to ISO 7789-27-01-0-07
- More reliable operation over the whole pressure and flow range (high pressure differences)
- Low headloss
- All exposed parts with zinc-nickel plating
- High pressure wet-armature solenoids
- The slip-on coil can be rotated, and it can be replaced without opening the hydraulic envelope
- Various plug-connector systems and voltages are available
- Can be fitted in a line-mounting body

1 Description

Series MVRPSB... two-stage proportional throttle cartridges are size 10, high performance screw-in valves with an M27 x 2 mounting thread. Both the main and pilot stages are designed on the poppet/seat principle and the 2 → 1 flow path is therefore virtually leak-free. With these proportional throttle cartridges, the flow rate from 2 → 1 is dependent on the control current, and it can be varied continuously and set at any desired level. When used with a pressure compensator, these cartridges are particularly suitable for precise and load-compensated lifting and lowering mo-

vements, but they can also be used on their own for reliable operation in mobile and industrial applications with large pressure differences. All external parts of the cartridge are zinc-nickel plated according to DIN EN ISO 19 598 and are thus suitable for use in the harshest operating environments. The slip-on coils can be replaced without opening the hydraulic envelope and can be positioned at any angle through 360°. For self-assembly, please refer to the section related data sheets.

2 Symbol



3 Technical data

General characteristics	Description, value, unit
Designation	proportional-throttle cartridge
Design	seat-valve shut-off, two stage
Mounting method	screw-in cartridge M27 x 2
Tightening torque	100 Nm ± 10 %
Size	nominal size 10 mm, cavity type DH
Weight	0.56 kg
Mounting attitude	unrestricted (preferably vertical, coil down)

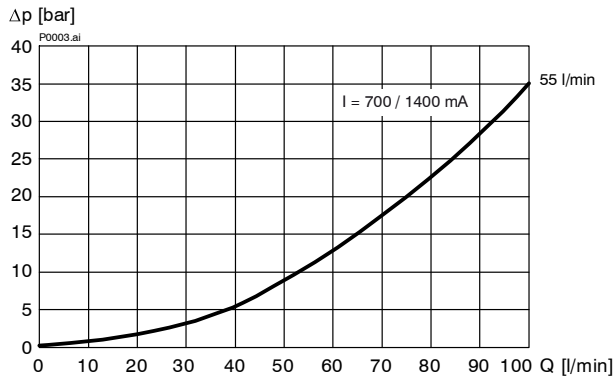
General characteristics	Description, value, unit
Ambient temperature range	-25 °C ... +50 °C
MTTF _D values	150 years, see data sheet 400-P-010101-en

Hydraulic characteristics	Description, value, unit
Maximum operating pressure	250 bar
Maximum flow rate	140 l/min
Nominal flow rate	55 l/min at $\Delta p = 10$ bar
	< 0,2 cm ³ /min (max. 5 drops/min) with oil viscosity 33 mm ² /s (cSt)
Flow direction	2 → 1 throttle function, see symbols 1 → 2 free flow
Hydraulic fluid	HL and HLP mineral oil to DIN 51 524; for other fluids, please contact BUCHER
Hydraulic fluid temperature range	-25 °C ... +70 °C
Viscosity range	15...380 mm ² /s (cSt), recommended 20...130 mm ² /s (cSt)
Minimum fluid cleanliness Cleanliness class to ISO 4406 : 1999	class 18/16/13

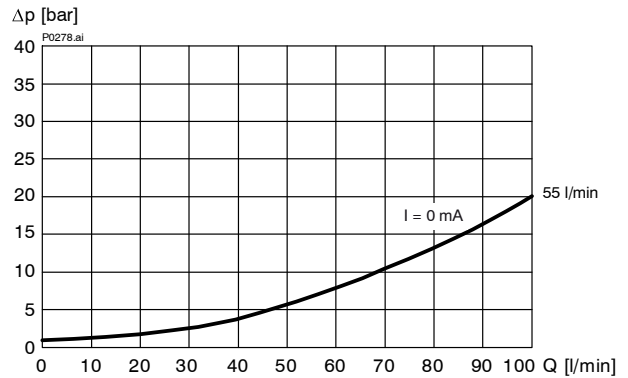
Electrical characteristics	Description, value, unit
Supply voltage	12 V DC, 24 V DC
Control current	12 V = 0...1400 mA, 24 V = 0...700 mA
Coil resistance R - cold value at 20 °C - max. warm value	12 V = 5.8 Ω / 24 V = 20.9 Ω 12 V = 8.6 Ω / 24 V = 32 Ω
Recommended PWM frequency (dither)	200 Hz
Hysteresis with PWM	2...4 % I _N
Reversal error with PWM	2...4 % I _N
Sensitivity with PWM	< 1 % I _N
Reproducibility with PWM	< 2 % p _N
Switching time	see performance graph
Relative duty cycle	100 %
Protection class to ISO 20 653 / EN 60 529	IP 65 / IP 67 / IP 69K, see "Ordering code" (with appropriate mating connector and proper fitting and sealing)
Electrical connection	DIN EN 175301-803, 3-pin 2 P+E (standard) for other connectors, see "Ordering code"

4 Performance graphs

$\Delta p = f(Q)$ Pressure drop - Flow rate characteristic [2 → 1]



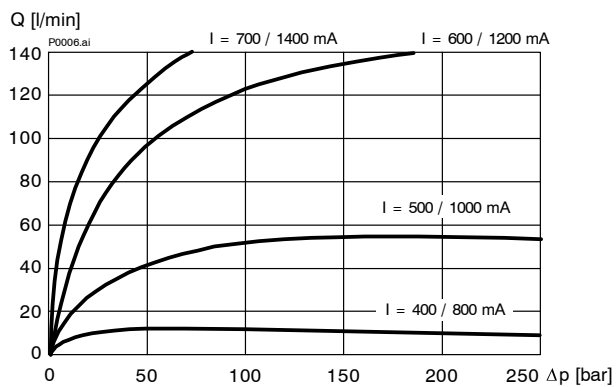
$\Delta p = f(Q)$ Pressure drop - Flow rate characteristic [1 → 2]



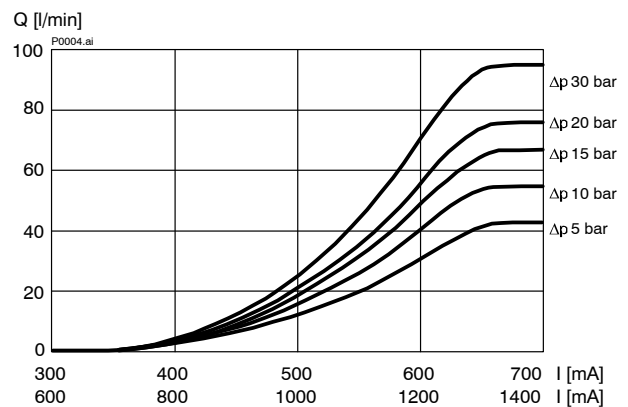
Attention:

where there are large pressure differences in the flow direction 1 → 2, the main stage poppet will become damaged.

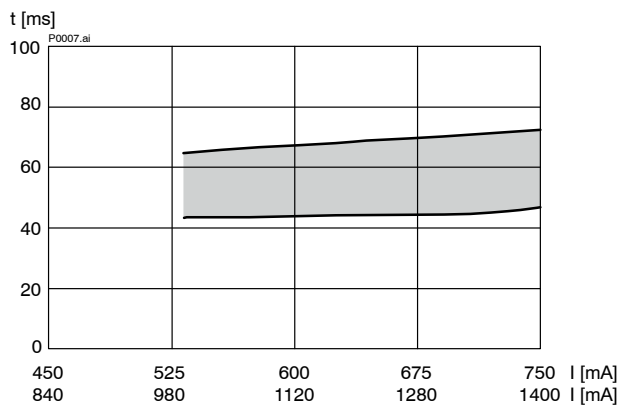
$Q = f(\Delta p; I)$ Flow rate adjustment characteristic



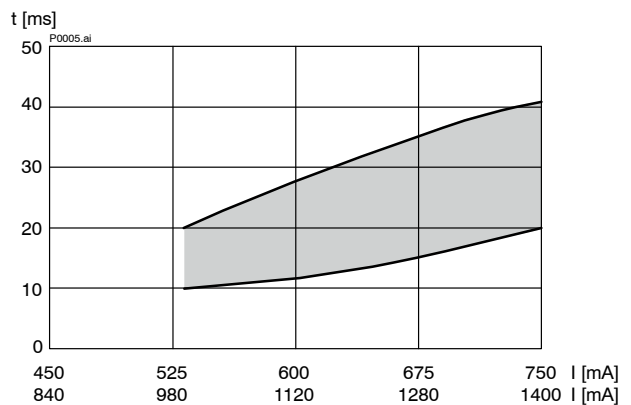
$Q = f(I; \Delta p)$ Flow rate adjustment characteristic



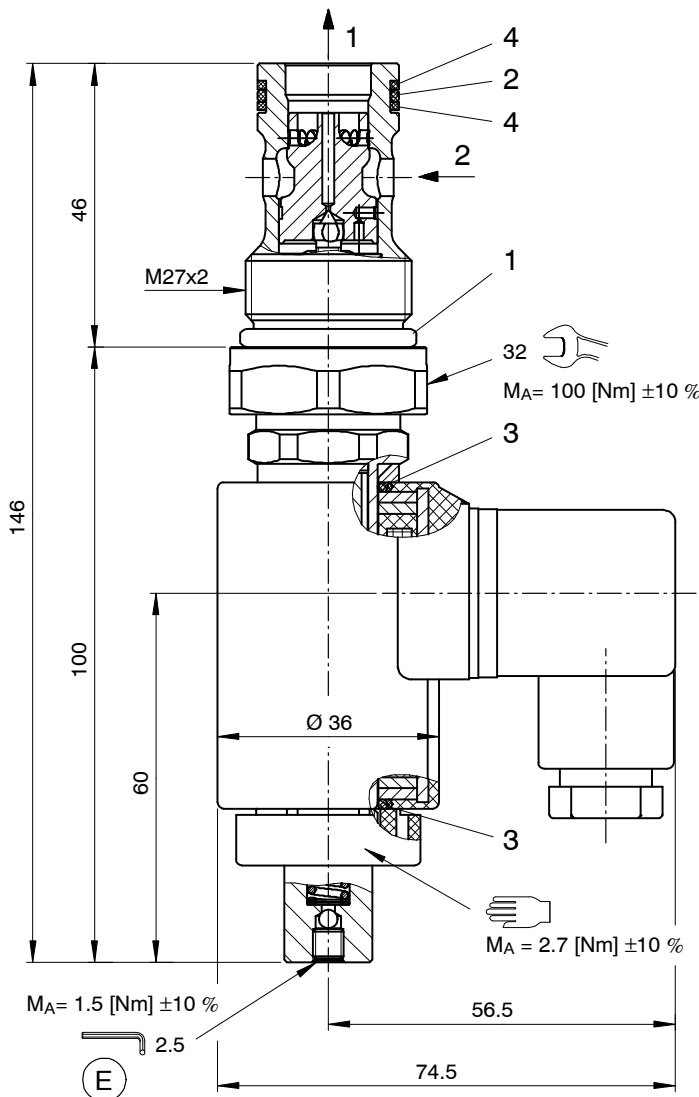
$t = f(I; \Delta p)$ Switching time characteristic Opening at $\Delta p = 10 \dots 50$ bar



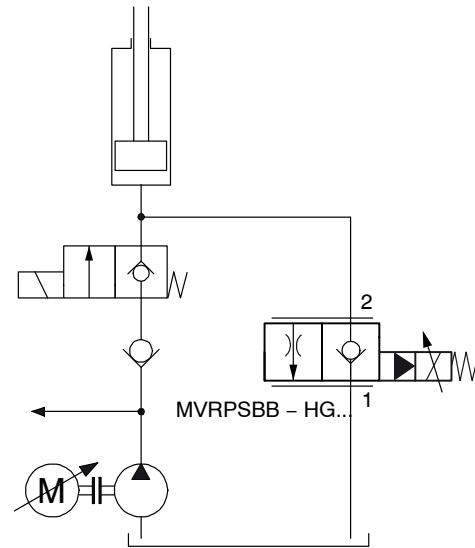
$t = f(I; \Delta p)$ Switching time characteristic Closing at $\Delta p = 10 \dots 50$ bar



5 Dimensions & sectional view



6 Application examples



7 Installation information



IMPORTANT!

To achieve the maximum performance rating, fit the solenoid coil as shown (with the plug pins at the bottom) and install the valve in a steel body. When fitting the cartridges, note the mounting attitude (preferably vertical, with coil down → automatic air bleed) and use the specified tightening torque. No adjustments are necessary, since the cartridges are set in the factory.



ATTENTION!

Only qualified personnel with mechanical skills may carry out any maintenance work. Generally, the only work that should ever be undertaken is to check, and possibly replace, the seals. When changing seals, oil or grease the new seals thoroughly before fitting them.

Seal kit NBR no. DS-368-N ¹⁾

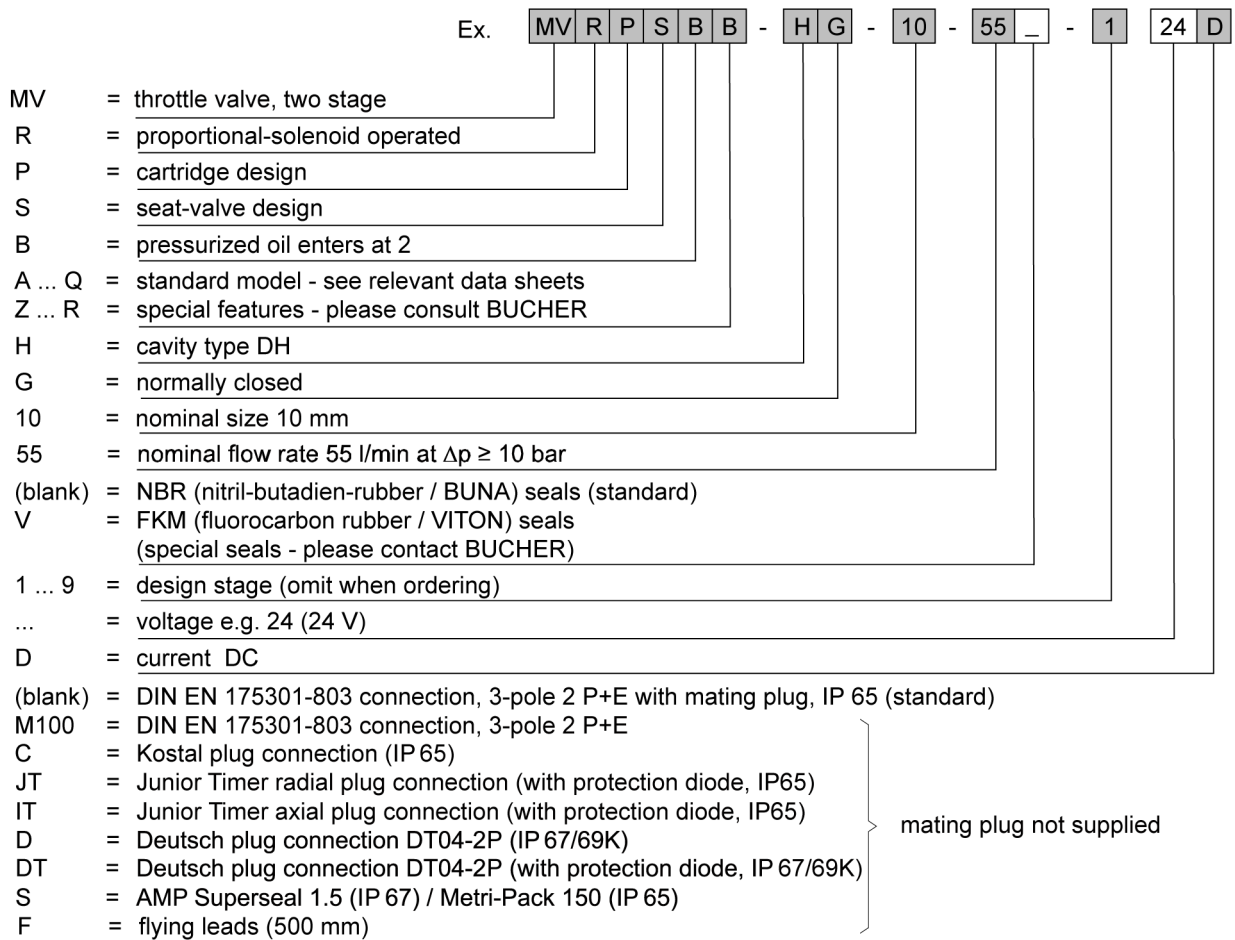
Item	Qty.	Description
1	1	O-ring no. 119 \varnothing 23.47 x 2.62 N90
2	1	O-ring no. 018 \varnothing 18.77 x 1.78 N90
3	2	O-ring \varnothing 16.00 x 2.00 FKM
4	2	Backup ring \varnothing 18.00 x 1.40 x 1.40 FI0751



IMPORTANT!

¹⁾ Seal kit with FKM (Viton) seals, no. DS-368-V

8 Ordering code



9 Related data sheets

Reference	(Old no.)	Description
400-P-040011	(i-32)	The form-tool hire programme
400-P-060171		Cavity type DH to ISO 7789-27-01-0-07
400-P-120110	(W-2.141)	Coils for screw-in cartridge valves
400-P-510101		Amplifier unit for proportional valves (1-channel) PBS - 3A
400-P-740161		Line-mounting body, type GCDHA (G 3/4")
400-P-010101		MTTF _D values for hydraulic valves

info.ch@bucherhydraulics.com

www.bucherhydraulics.com

© 2022 by Bucher Hydraulics AG Frutigen, CH-3714 Frutigen

All rights reserved.

Data is provided for the purpose of product description only, and must not be construed as warranted characteristics in the legal sense. The information does not relieve users from the duty of conducting their own evaluations and tests. Because the products are subject to continual improvement, we reserve the right to amend the product specifications contained in this catalogue.

Classification: 430.310.325.305.320.310