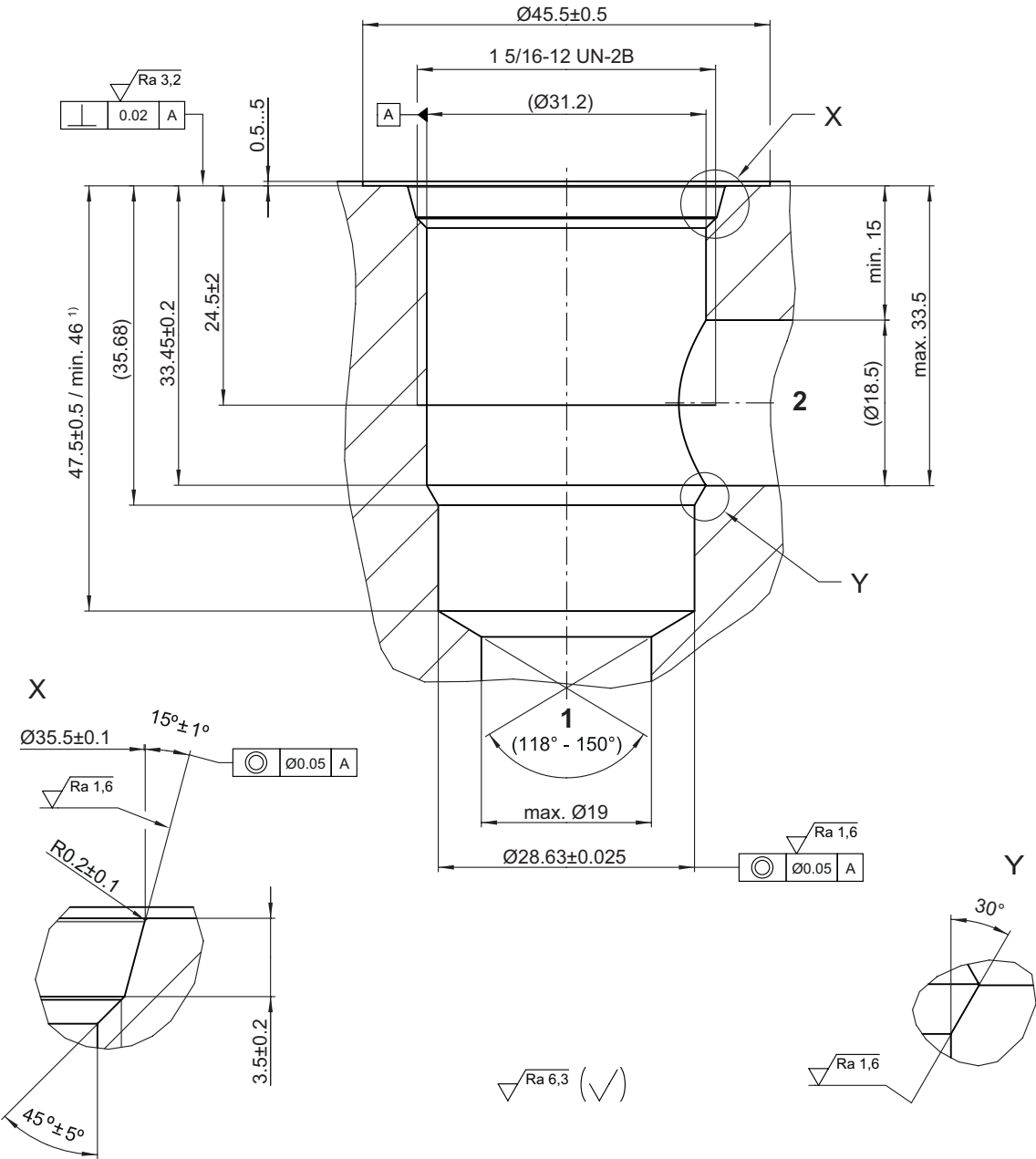


General information

Cavity

Type series: LA/C1620

Dimensions and sectional view



HINWEIS!
NOTE!

¹⁾ Passungstiefe
Minimum depth of specified diametral tolerance

Beispiel für die Masseinheit:
Example for the dimensional units:
0.79 = 0.79 mm millimeter

Installation information

**ATTENTION!**

You must maintain the specified positional and diametral tolerances. To ensure trouble-free operation of the screw-in cartridges, we strongly recommend that pilot drilling, boring, reaming and cavity thread-cutting are always performed in one setup.

**NOTE!**

The cavity type LA/C1620 complies with the standard according to: ISO 17209: 1 5/16-01-0-13 and NFPA/T3.5.50: 1.312-01-0-09.

**NOTE!**

We offer form tool sets for sale or hire. For further information, see data sheet 400-P-040011.