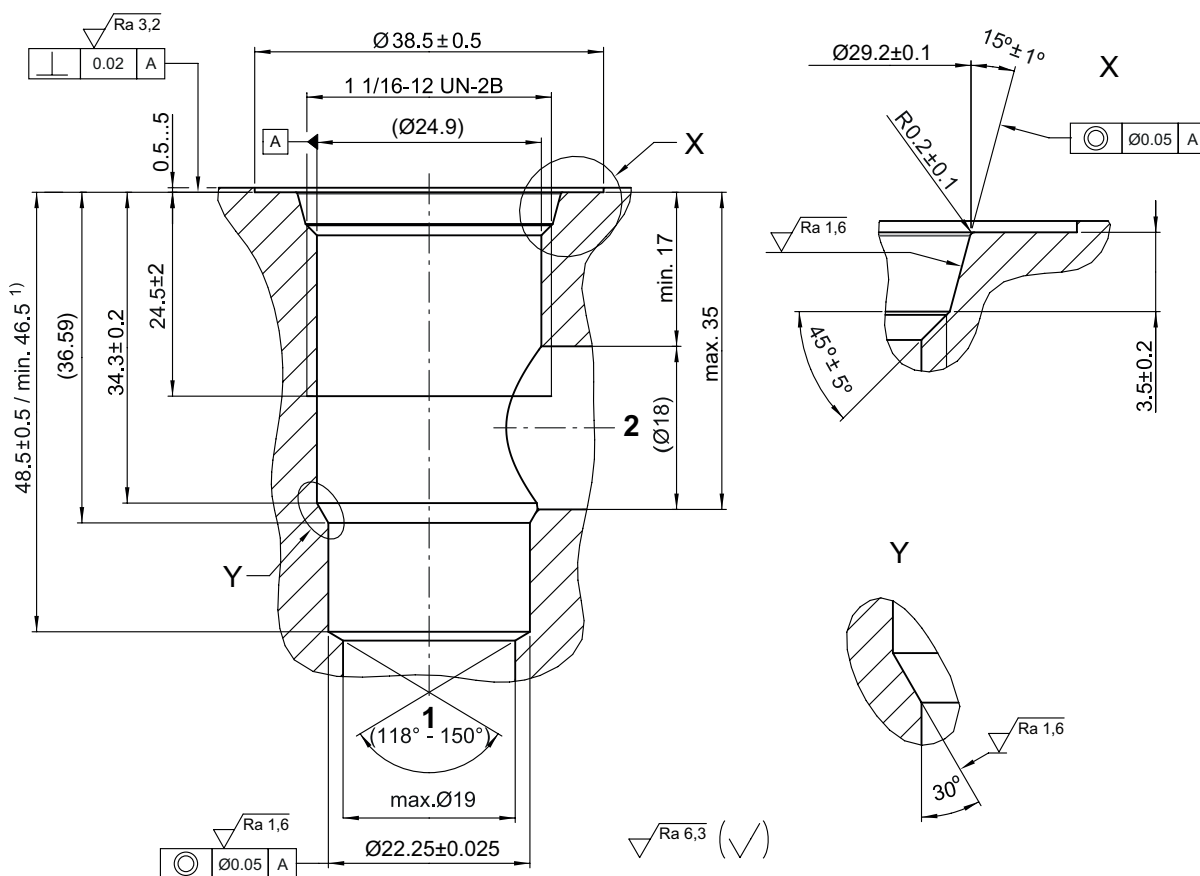


General information

Cavity

Type series: HF/C1220A

Dimensions and sectional view



**HINWEIS!
NOTE!**

- ¹⁾ Passungstiefe
Minimum depth of specified diametral tolerance

**Beispiel für die Masseinheit:
Example for the dimensional units:**
0.79 = 0.79 mm millimeter

Installation information

**ATTENTION!**

You must maintain the specified positional and diametral tolerances. To ensure trouble-free operation of the screw-in cartridges, we strongly recommend that pilot drilling, boring, reaming and cavity thread-cutting are always performed in one setup.

**NOTE!**

The cavity type HF/C1220A complies with the standard according to: ISO 17209:11/16-01-0-13.

**NOTE!**

We offer form toolsets for sale or hire. For further information, see data sheet 400-P-040011.