

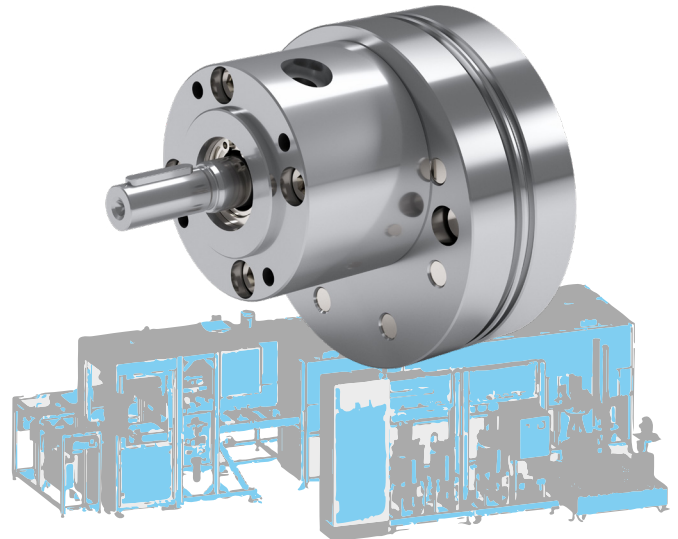
# High precision gear metering pump ADP

Expansion of our pump portfolio to include the gear metering pump ADP

Dear Sir or Madam,

Our pump portfolio is being expanded to include the high precision gear metering pump ADP. The ADP is an external gear metering pump. With extremely small clearances and an optimal gear geometry the ADP has a very high volumetric efficiency also at difficult combinations e.g. high pressure together with low turning speed and low viscosities.

The main parts of the pump are made of stainless steel. Because of that a wide range of fluids can be pumped. The high precision pump is primarily used for metering polyol and isocyanate as well as resin and hardener in two- or multi-component plants.



### Characteristics

Displacement	0.1... 20.0 cm <sup>3</sup> /rev
Media temperature	-20 ... 200 °C
Operating pressure	... 200 bar
Speed	10 ... 200 1/min
Viscosity	from 1.0 mm <sup>2</sup> /s

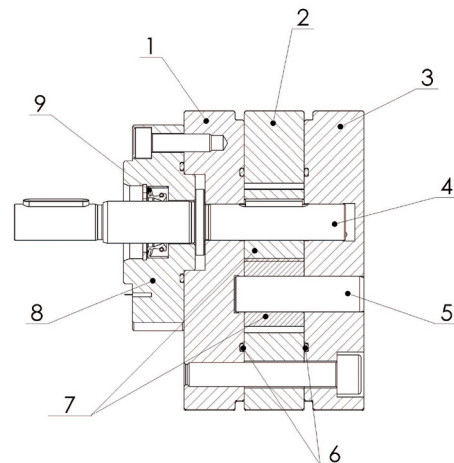
### Shaft seals

- Single radial lip-type seal
- Double radial lip-type seal
- Triple radial lip-type seal
- Gland Packing
- Magnetic coupling

### Option

- Motor-pump unit

### Construction



- 1 Front plate
- 2 Center plate
- 3 Rear plate
- 4 Drive shaft
- 5 Arbor
- 6 O-rings
- 7 Gears
- 8 Seal carrier
- 9 Shaft sealing