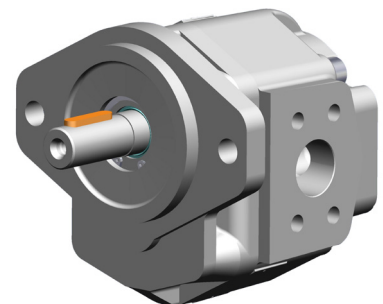
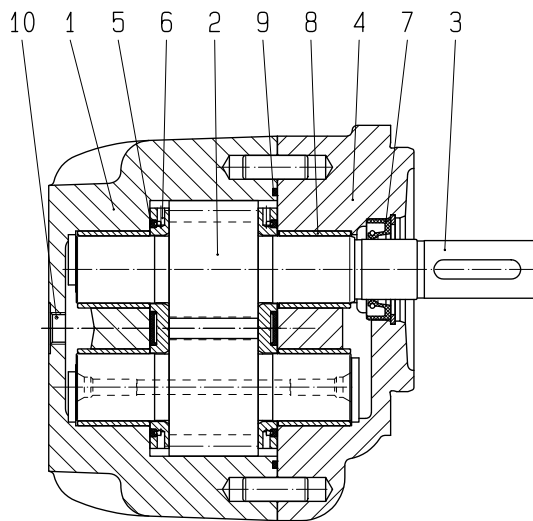


High pressure
gear motors
KM 2



Construction



- 1 Housing
- 2 Gearing
- 3 Drive shaft end
- 4 Flange cover
- 5 Pressure field sealing for axial clearance compensation
- 6 Sliding plates
- 7 Rotary shaft lip-type seal
- 8 Plain bearing
- 9 Sealing of the housing
- 10 Drain port

Function

The construction (design principle) and materials of the KRACHT KM 2 series external gear motors make them perfect for use under the most extreme operating conditions. The main components form the housing and flange cover (see sectional drawing). They can be dynamically highly loaded, making them insensitive to pressure peaks and continuous vibrations. Large-surface-dimensioned, PTFE-Pb coated, bronze plain bearings on steel backs in the housing and flanged cover support the micro-finish ground bearing journals of the gear, which comprises the driving shaft pinion and driven shaft pinion. To realise optimum running properties the tooth flanks of the gear, which are produced from case-hardened steel, are ground. The high number of teeth ($z = 14$) in combination with a tooth shape developed for the special requirements of the hydraulics as well as the optimal layout of the expansion slots in the trapped-oil area achieve a considerable reduction in the volume flow variation and thus the pressure pulsation.

This leads to significantly lower noise level values in the motors or even in whole systems and machines. This functioning of the indispensable active axial-tolerance-allowance compensation is implemented by the slide plates located beside the gears. They have hydraulically-loaded pressure-fields, through which a compensation of the axial tolerance allowance is guaranteed at every operating pressure. The slide plates are structured to implement viscosity-independent play-compensation. That ensures a high level of volumetric and mechanical efficiency at every operating point. Multiple motor combinations are possible, as are mounting valves (pressure relief valves can be set to fixed or proportional values, directional control valves for switching the direction of rotation). A suction valve is available as the integrated valve.

Motors with one or two direction of rotation are available. The variant with two directions of rotations has connections of the same size and a leakage oil connection. These motors can be pressurised

on the discharge side. The single direction of rotation variant is in fact a pump. Right-handed pumps means left-handed motors and vice versa. Lacking a leakage oil connection, these motors are internally connected to the discharge side and cannot be pressurised on that side. See the datasheet for the high pressure gear pumps KP 2 / KP 3 for dimensions and weights.

Notes:

1. External loads

Radial or axial loads acting on the shaft end impair the functions of the gland bearings. Radial loads can possibly be absorbed in dependence on the extent and the direction of the loads. Axial loads are NOT permissible. To absorb external loads the motor type with outboard bearing must be used.

2. Direction of rotation

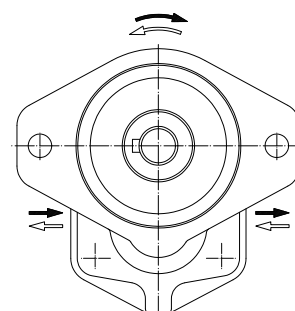
Regarding the direction of rotation basically the following applies provided the view is directed toward the drive shaft end:

Drive shaft end rotating clockwise: Oil flow from left to right.

Drive shaft end rotating

anticlockwise:

Oil flow from right to left.



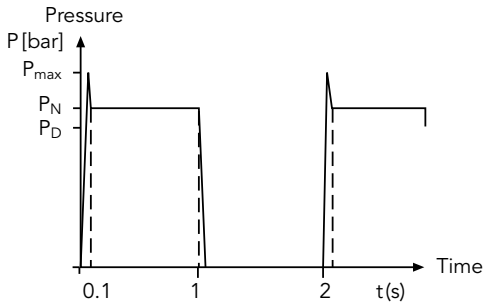
Materials

Housing	cast iron / spheroidal cast iron
Bearing	multi-compound plain bearing bushes
Journals and gears	case hardening steel acc. to DIN 17210 surface hardened and ground
Seals	NBR rotary shaft lip-type seal and PU-pressure field sealing ϑ 90°C FKM rotary shaft lip-type seal and PU-pressure field sealing ϑ 100°C

Characteristics

Mounting	flange
Pipe connection	flange
Direction of rotation	right, left, right + left
Weight	refer to dimensional sheet
Fitting position	optional
Ambient temperature	$\vartheta_{u \min}$ = - 20°C $\vartheta_{u \max}$ = 60°C
Working pressure input	p_{\max} = 350 bar (refer to technical data)
Drain pressure	5 bar max (n = 1000) 3 bar max (n = 2000)
Working pressure output	p_{\max} = 150 bar
Fluid temperature	$\vartheta_{m \max}$ 90 °C NBR rotary shaft lip-type seal and PU pressure field sealing $\vartheta_{m \max}$ 100 °C for FKM rotary shaft lip-type seal and PU pressure field sealing (Special No. 261)
Viscosity	ν_{\min} = 10 mm ² /s ν_{\max} = 1000 mm ² /s
Recommended oil cleanliness	according to ISO 4406 : 1999 Code 21/19/16 ☞ according to NAS 1638 Class 10
Recommended filtration	Filter with filtration quotient β_{25} 75 for ... 300 bar β_{40} 75 for ... 100 bar
Recommended Viscosity range	ν = 30 ... 45 mm ² /s
Characteristic curves	refer to pages 7 – 10
Hydraulic fluids	Mineral oil acc. DIN 51524/25 Motor oil acc. DIN 51511 Flame resistant pressure fluids on request bio-oils of type „HEES“, can be used up to 70°C , max. pressure must be reduced minus 20% (use only on request)

Time / Pressure chart



Maximum pressure \triangleq pressure peak
 Rated pressure $p_N < 6s \triangleq 50\%$ ED
 see time / pressure chart
 max. perm. working cycles: 30/min
 Pressures as specified are applicable
 to $v \geq 30 \text{ mm}^2/\text{s}$

Calculation Formulas for Hydraulic Pumps and Motors

Characteristic data, formula signs, units

- | | | |
|--------------------------------|---------------------|------------------------|
| 1. Discharge flow / input flow | Q | l/min |
| 2. Pump / motor displacement | V_g | cm^3/r |
| 3. Pressure | p | bar |
| 4. Speed | n | 1/min |
| 5. Torque | M | Nm |
| 6. Power | P | kW |
| 7. Total efficiency | η_{tot} | — |
| 8. Volumetric efficiency | η_{vol} | — |
| 9. Hydr./mech. efficiency | η_{hm} | — |
| 10. Flow velocity | v | m/s |
| 11. Piping diameter | d | mm |

General

- 1 \triangleq input, driven
- 2 \triangleq output, driving

$$Q_{\text{th}} = V_g \cdot n, \quad \eta_{\text{tot}} = \eta_{\text{vol}} \cdot \eta_{\text{hm}}$$

$$M = 9549 \cdot \frac{P}{n}, \quad v = 21.22 \frac{Q}{d^2}$$

Characteristic data for:	Volumetric flow	Discharge flow $Q_2 = \frac{V_g \cdot n_1 \cdot \eta_{\text{vol}}}{10^3} \left[\frac{\text{l}}{\text{min}} \right]$	Input flow $Q_1 = \frac{V_g \cdot n_2}{10^3 \cdot \eta_{\text{vol}}} \left[\frac{\text{l}}{\text{min}} \right]$
	Torque	Drive torque $M_1 = \frac{p \cdot V_g}{20 \cdot \pi \cdot \eta_{\text{hm}}} \text{ [Nm]}$	Output torque $M_2 = \frac{\Delta p \cdot V_g \cdot \eta_{\text{hm}}}{20 \cdot \pi} \text{ [Nm]}$
	Power	Input power $P_1 = \frac{p \cdot Q_2}{600 \cdot \eta_{\text{tot}}} \text{ [kW]}$	Output power $P_2 = \frac{\Delta p \cdot Q_1 \cdot \eta_{\text{tot}}}{600} \text{ [kW]}$

Technical Data

KM 2 ... 4DL

Nominal motor displacement	Geom. motor displacement V_g cm ³ /r	Working pressure p_D bar	Rated pressure p_N bar	Peak pressure p_{max} bar	max. working speed N_{max} 1/min	Moment of inertia J x 10 ⁻⁵ kg m ²	Lowest-Speed n_{min} 1/min
20	19.7	250	280	300	3000	34.3	300
25	24.6	250	280	300	3000	40.5	300
28	27.7	230	250	280	3000	44.3	300
32	31.5	230	250	280	3000	49.2	300
40	39.4	210	230	250	3000	59.0	300
50	49.2	210	230	250	3000	71.4	300
62	61.2	180	190	200	2200	86.5	300

KM 2 ... 4VL

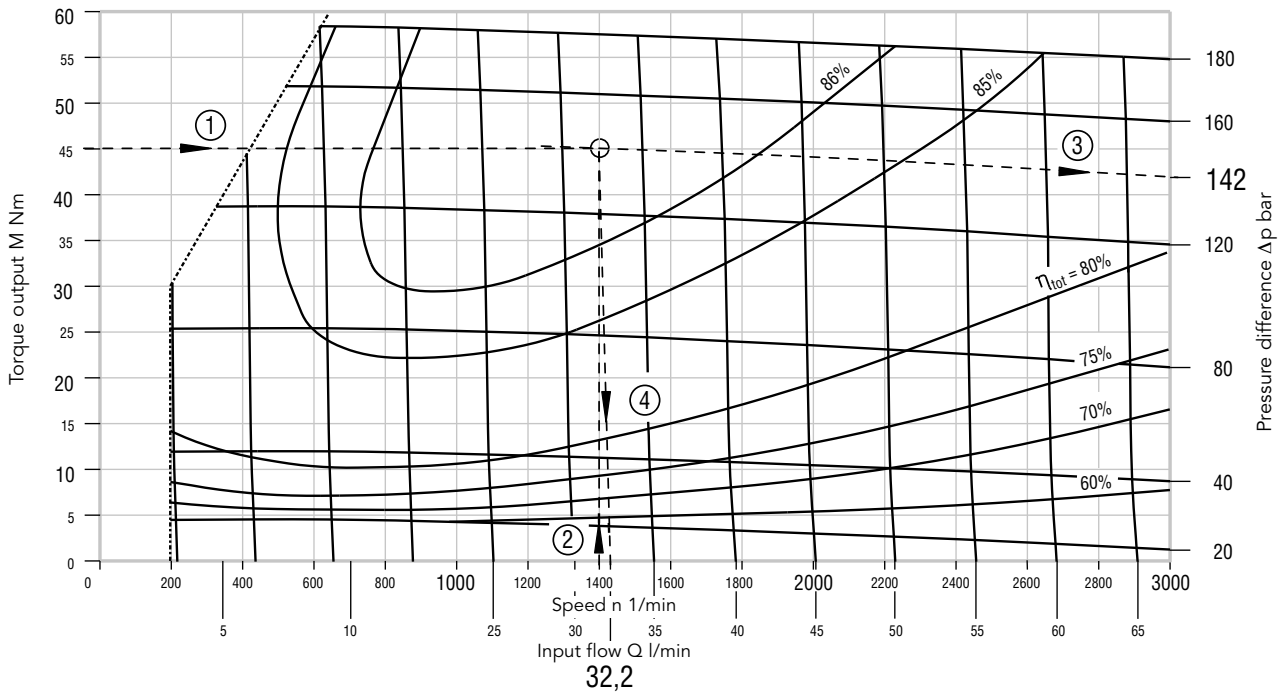
Nominal motor displacement	Geom. motor displacement V_g cm ³ /r	Working pressure p_D bar	Rated pressure p_N bar	Peak pressure p_{max} bar	max. working speed N_{max} 1/min	Moment of inertia J x 10 ⁻⁵ kg m ²	Lowest-Speed n_{min} 1/min
20	19.7	315	350	400	3000	34.3	300
25	24.6	315	350	400	3000	40.5	300
28	27.7	315	350	400	3000	44.3	300
32	31.5	315	350	400	3000	49.2	300
40	39.4	280	350	400	3000	59.0	300
50	49.2	280	350	400	3000	71.4	300

Guidance for use of the Characteristic Curves

Required: Torque output M at speed n
Unknown: Pressure difference Δp and the required Input flow Q

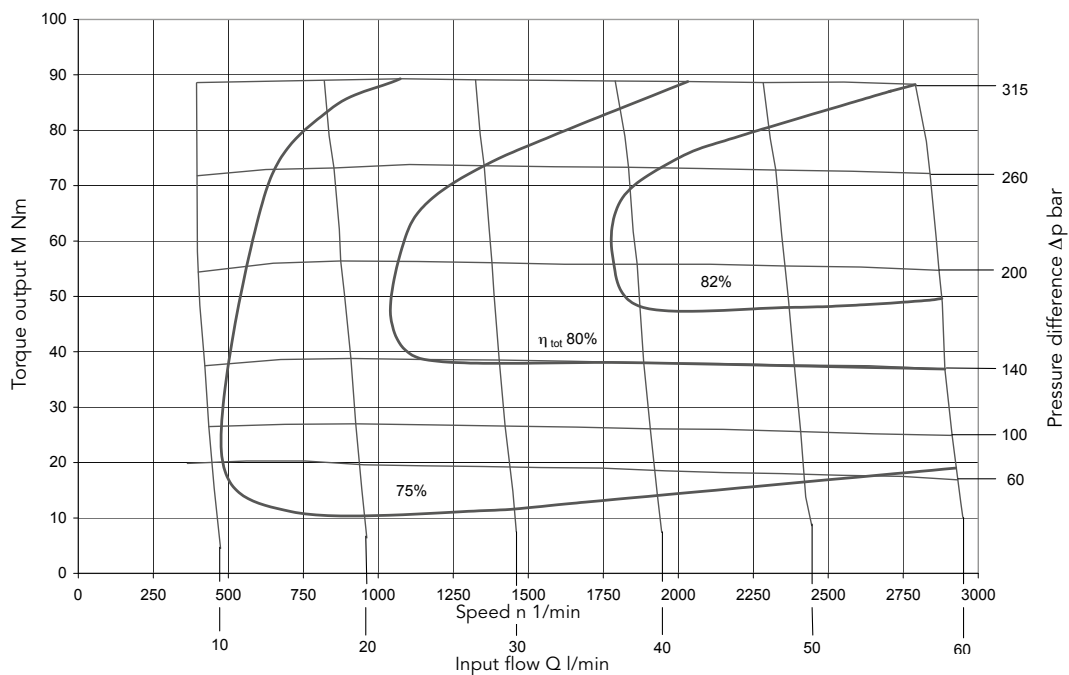
Example: $M = 45 \text{ Nm}$ → ①
 $n = 1400 \text{ 1/min}$ ↑ ②

The Intersection of ① and ② is the motor working point with:
 $\Delta p = 142 \text{ bar}$ → ③
 $Q = 32.2 \text{ l/min}$ ↓ ④



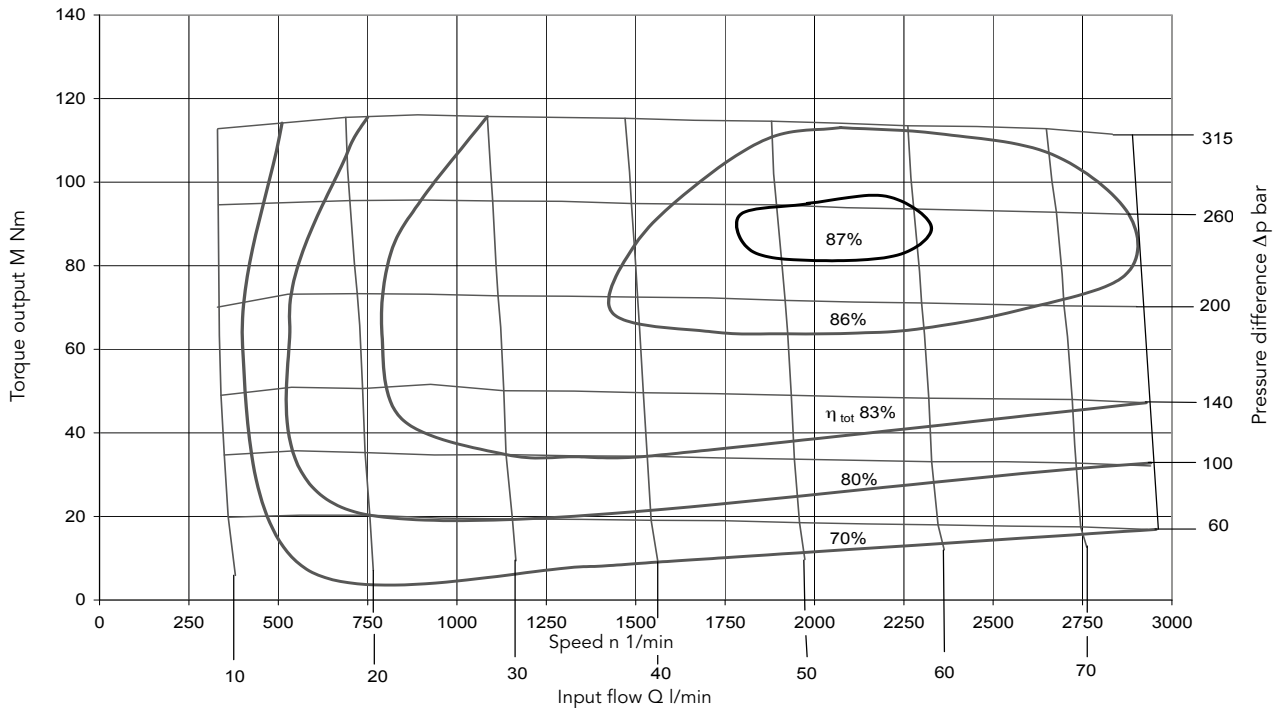
Characteristic Curves for KM 2/20 ... 4.L.

Characteristic values applicable to viscosity $\nu = 34 \text{ mm}^2/\text{s}$ · Dispersion of the speed values $n = \pm 75 \text{ 1/min}$
Dispersion of the torque output $M = \pm 3.0 \text{ Nm}$ at $\Delta p = \text{constant}$ and $Q = \text{constant}$



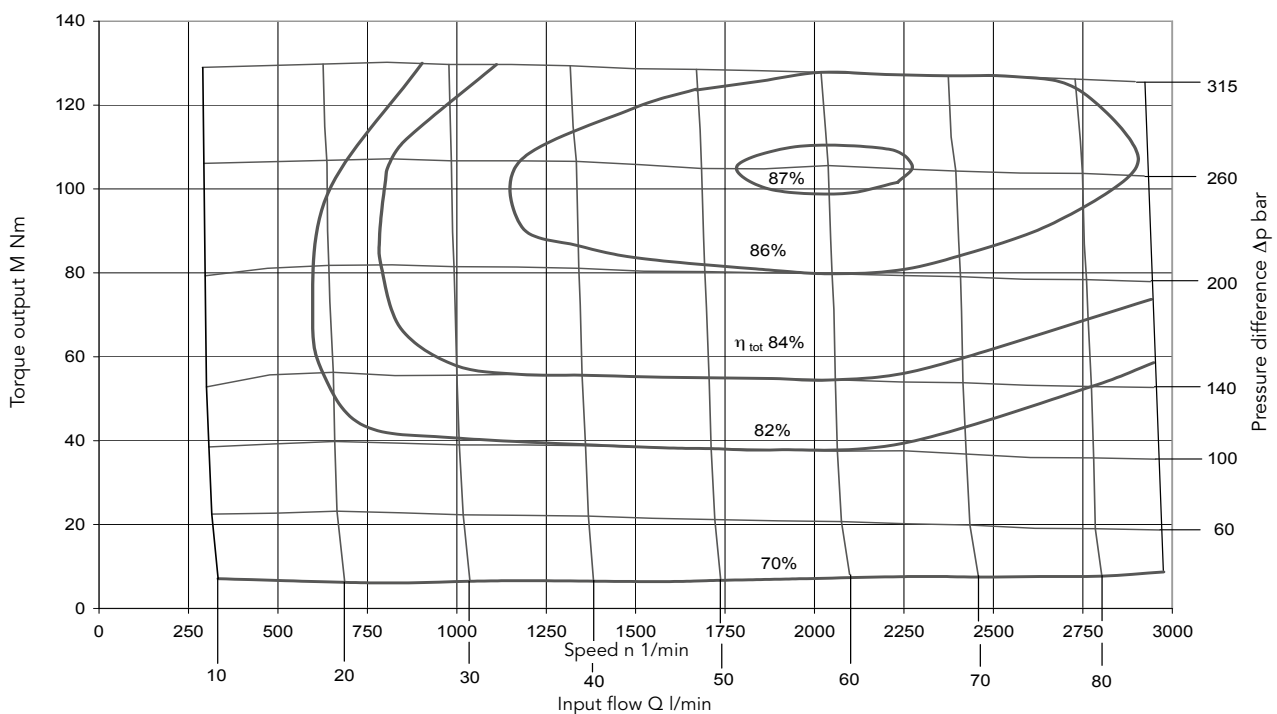
Characteristic Curves for KM 2/25 ... 4.L.

Characteristic values applicable to viscosity $\nu = 34 \text{ mm}^2/\text{s}$ · Dispersion of the speed values $n = \pm 75 \text{ 1/min}$
Dispersion of the torque output $M = \pm 4.5 \text{ Nm}$ at $\Delta p = \text{constant}$ and $Q = \text{constant}$



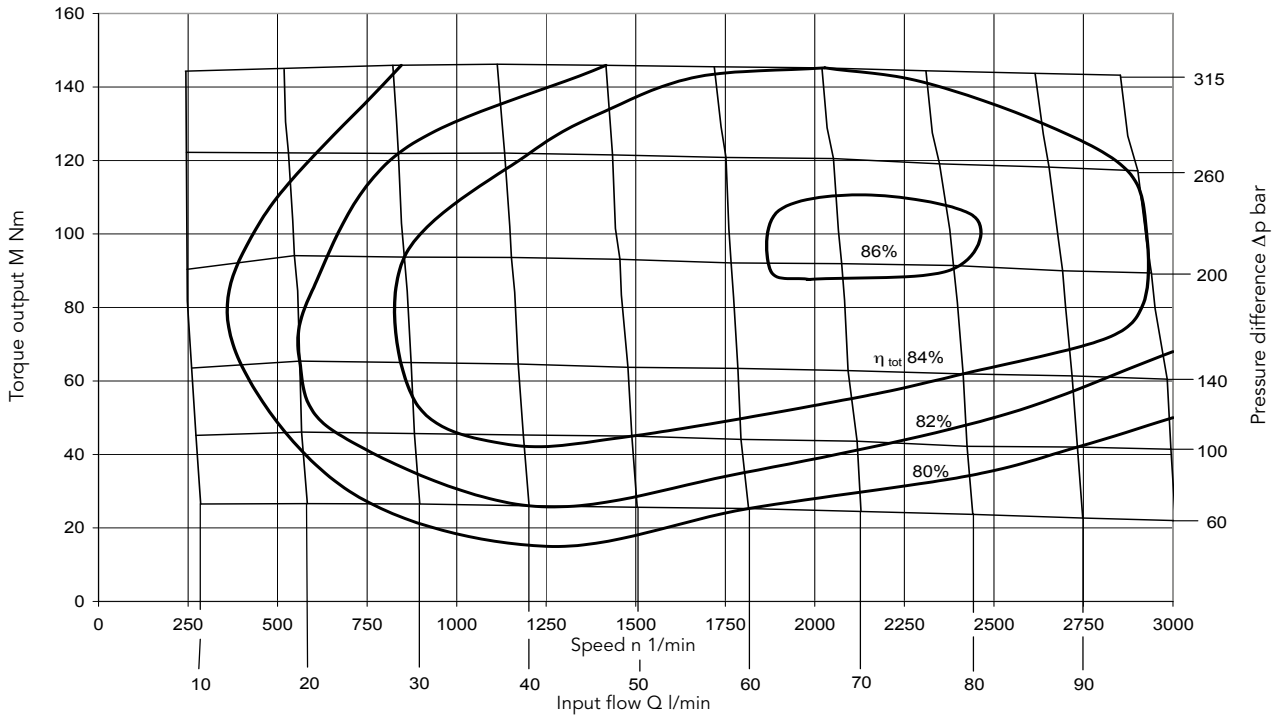
Characteristic Curves for KM 2/28 ... 4.L.

Characteristic values applicable to viscosity $\nu = 34 \text{ mm}^2/\text{s}$ · Dispersion of the speed values $n = \pm 75 \text{ 1/min}$
Dispersion of the torque output $M = \pm 5.0 \text{ Nm}$ at $\Delta p = \text{constant}$ and $Q = \text{constant}$



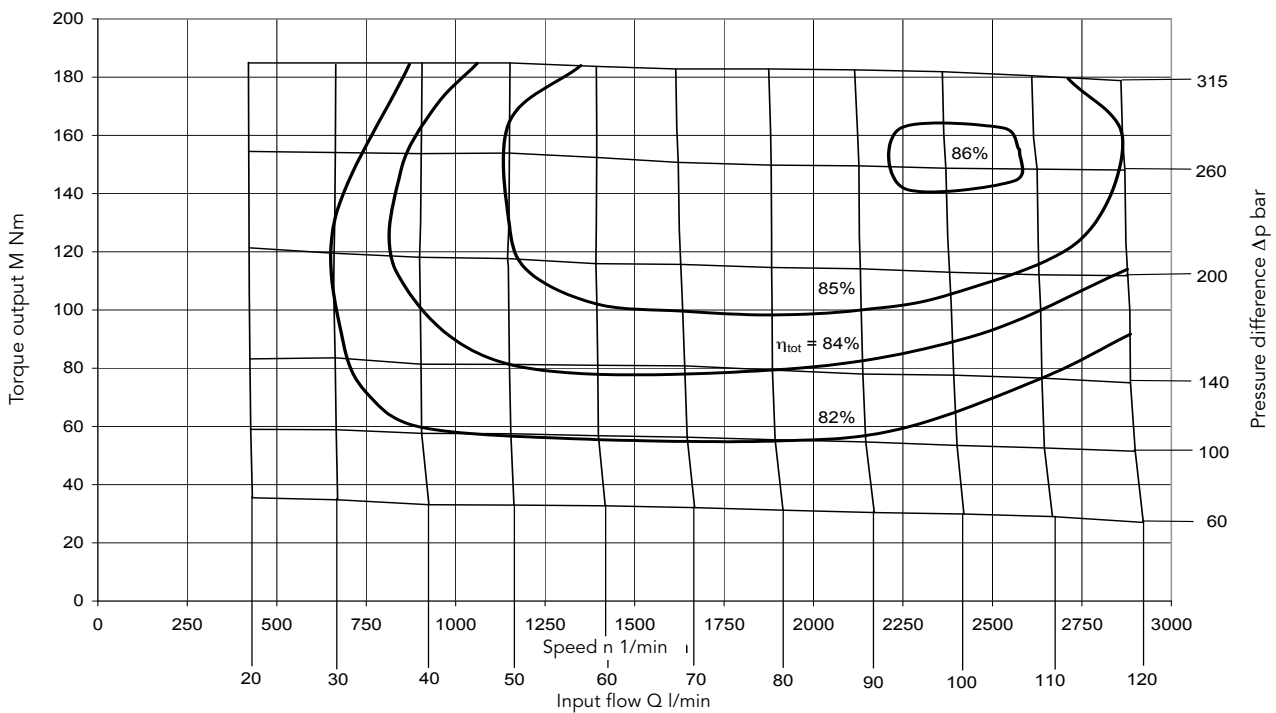
Characteristic Curves for KM 2/32 ... 4.L.

Characteristic values applicable to viscosity $\nu = 34 \text{ mm}^2/\text{s}$ · Dispersion of the speed values $n = \pm 75 \text{ 1/min}$
Dispersion of the torque output $M = \pm 5.5 \text{ Nm}$ at $\Delta p = \text{constant}$ and $Q = \text{constant}$



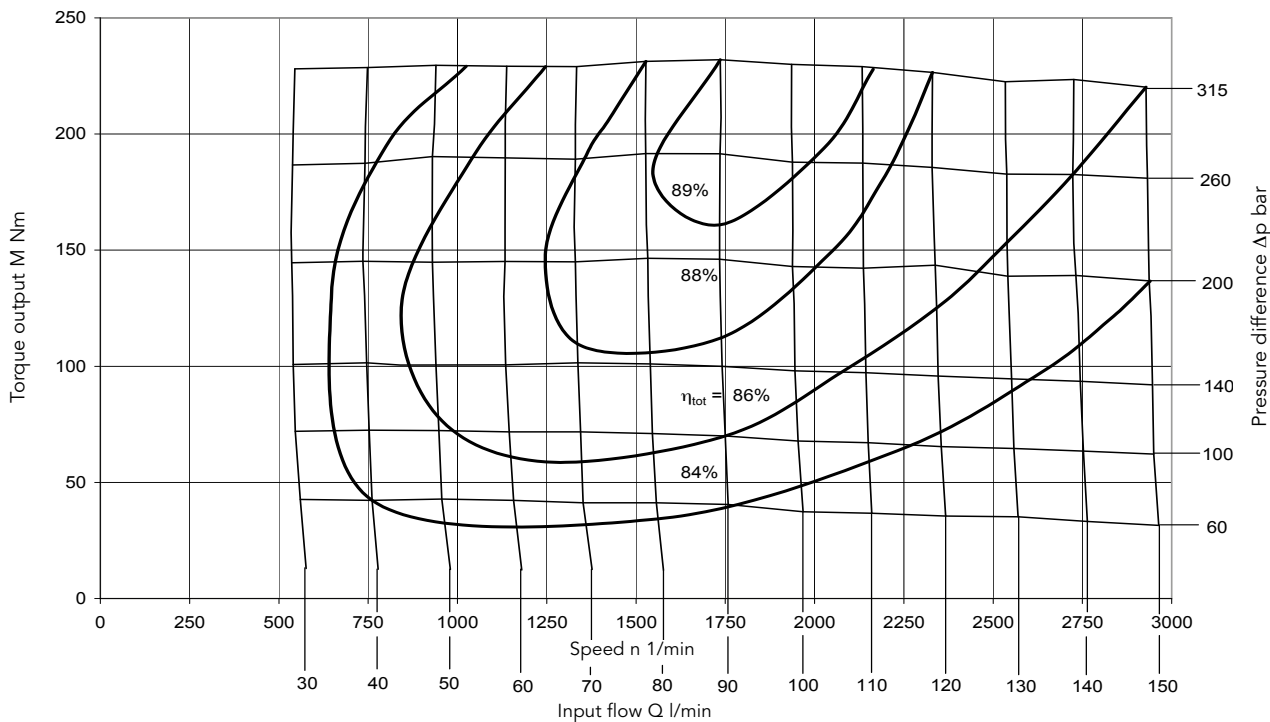
Characteristic Curves for KM 2/40 ... 4.L.

Characteristic values applicable to viscosity $\nu = 34 \text{ mm}^2/\text{s}$ · Dispersion of the speed values $n = \pm 75 \text{ 1/min}$
Dispersion of the torque output $M = \pm 6.0 \text{ Nm}$ at $\Delta p = \text{constant}$ and $Q = \text{constant}$



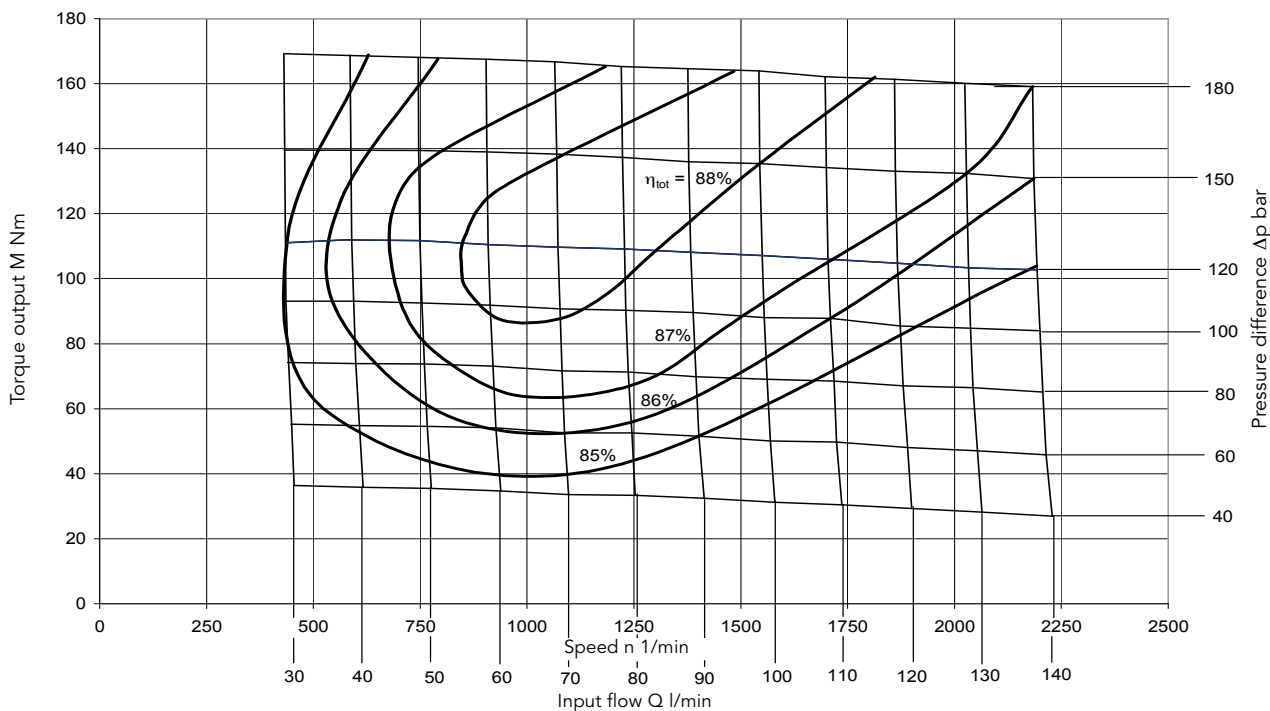
Characteristic Curves for KM 2/50 ... 4.L.

Characteristic values applicable to viscosity $\nu = 34 \text{ mm}^2/\text{s}$ · Dispersion of the speed values $n = \pm 75 \text{ 1/min}$
Dispersion of the torque output $M = \pm 7.5 \text{ Nm}$ at $\Delta p = \text{constant}$ and $Q = \text{constant}$

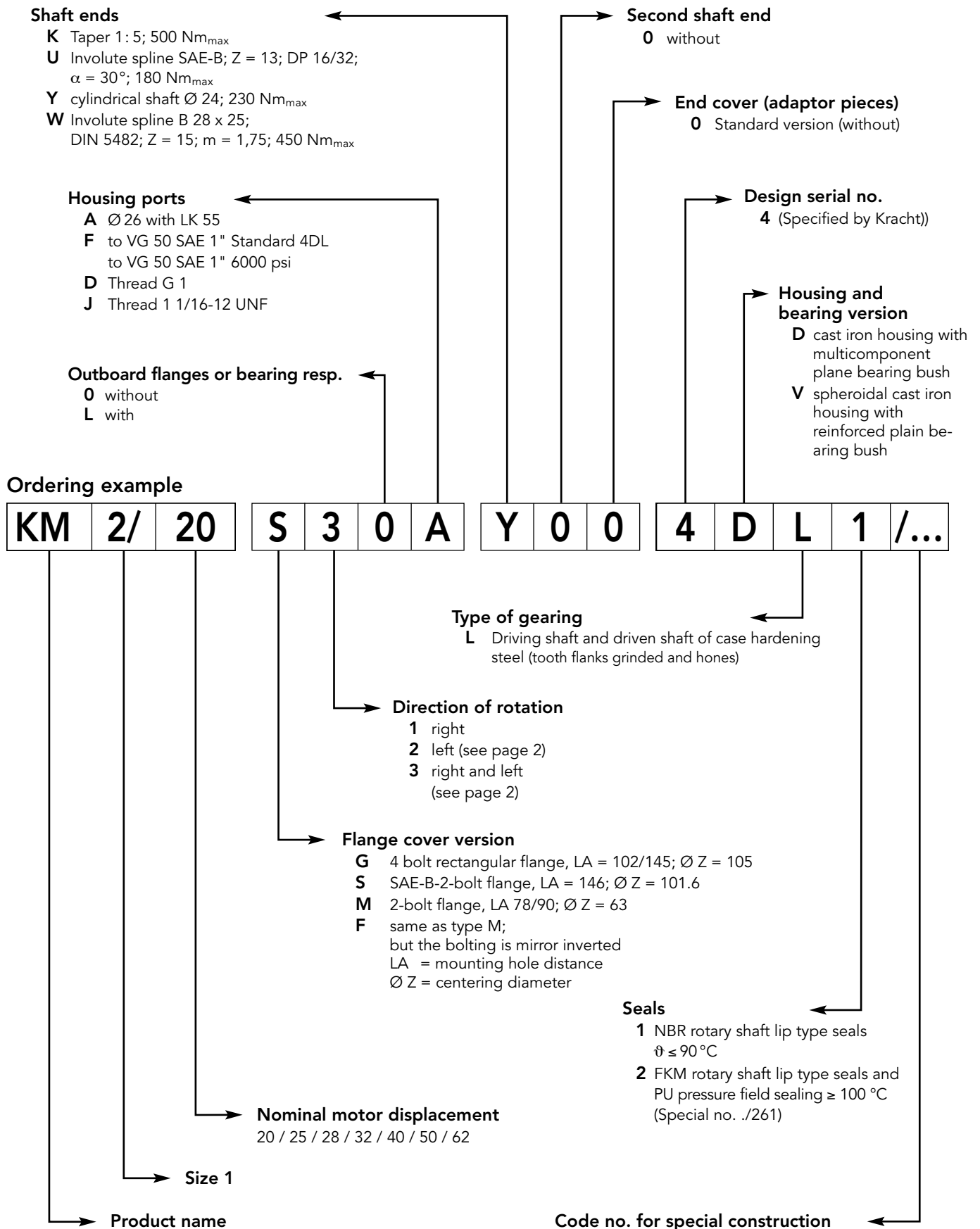


Characteristic Curves for KM 2/62 ... 4.L.

Characteristic values applicable to viscosity $\nu = 34 \text{ mm}^2/\text{s}$ · Dispersion of the speed values $n = \pm 75 \text{ 1/min}$
Dispersion of the torque output $M = \pm 8.0 \text{ Nm}$ at $\Delta p = \text{constant}$ and $Q = \text{constant}$

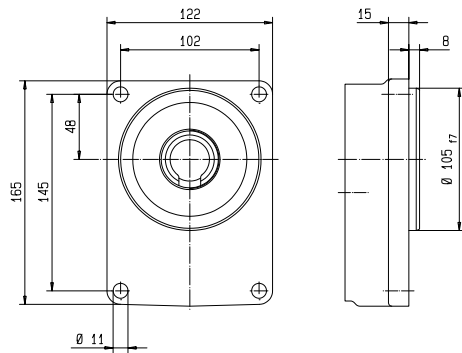


Type Key

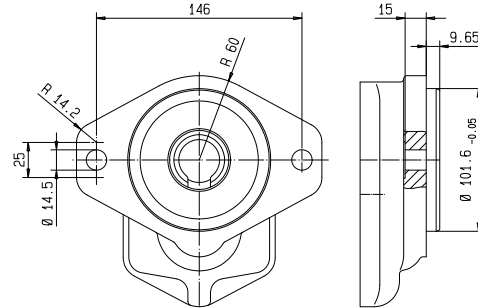


Flange type

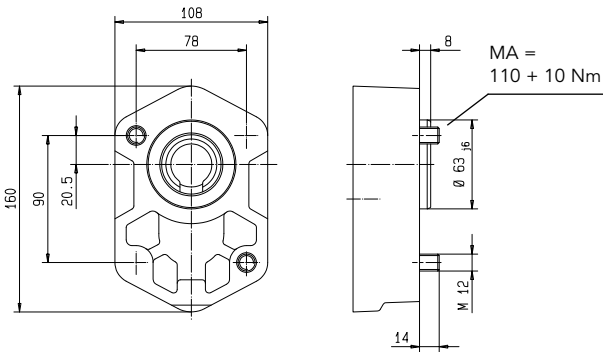
4 bolt rectangular flange G



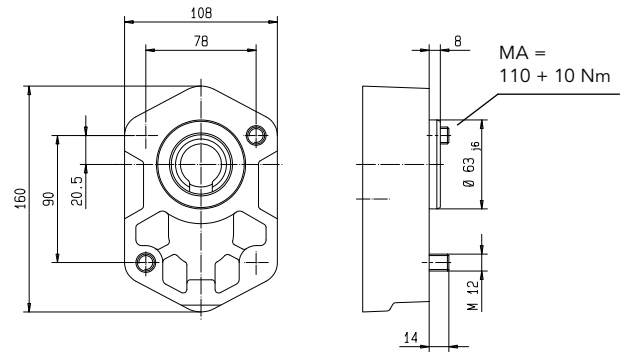
SAE-B-2-bolt flange S



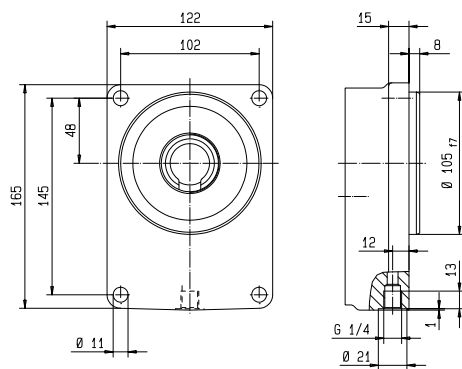
2-bolt flange F



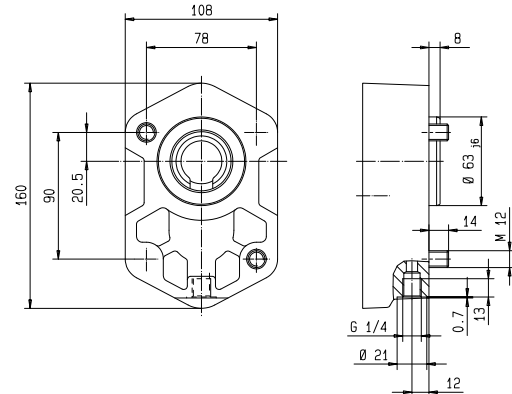
2-bolt flange M



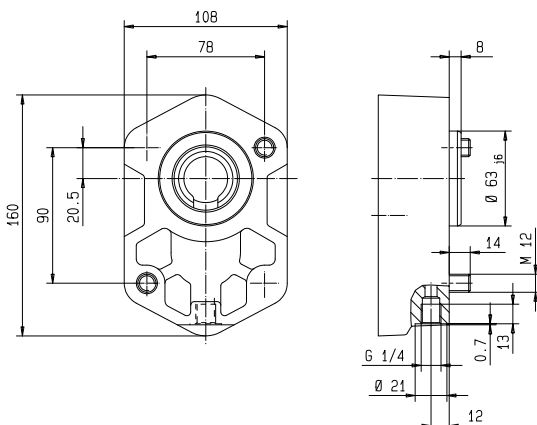
4 bolt rectangular flange G with drain port front / Special no. /04



2 bolt flange F with drain port front / Special no. /04

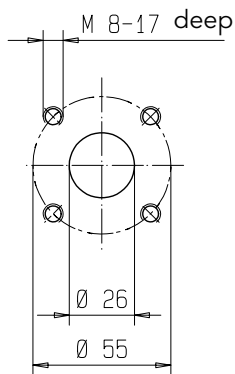


2 bolt flange M with drain port front / Special no. /04



Side ports

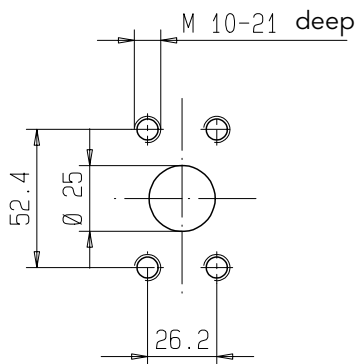
Housing Side Ports A



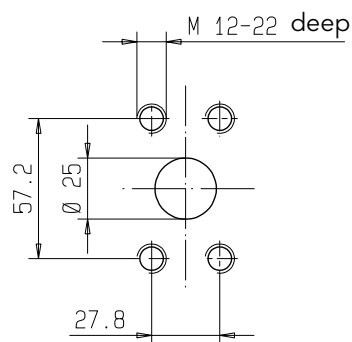
Housing Side Ports F

Displacement / motor displacement 20... 50

SAE 1 Standard KM 2 ... 4DL

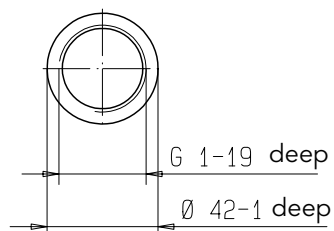


SAE 1 6000 psi ... KM 2... 4VL



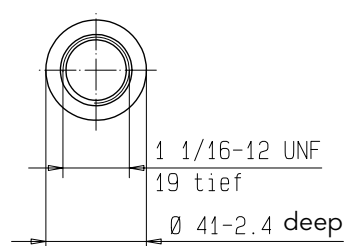
Housing Side Ports D

G 1"

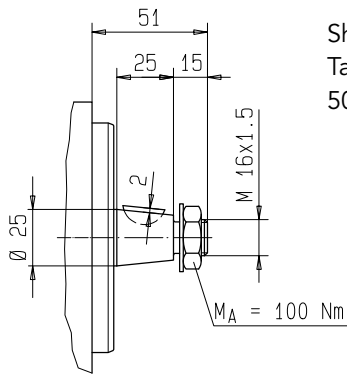


Housing Side Ports J

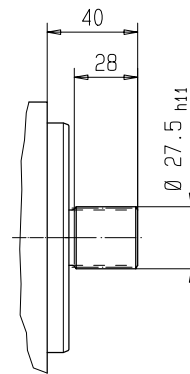
1 1/16-12 UNF



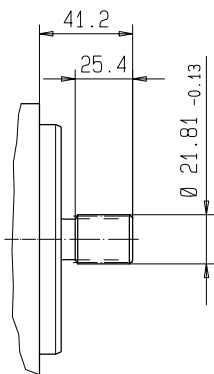
Shaft end



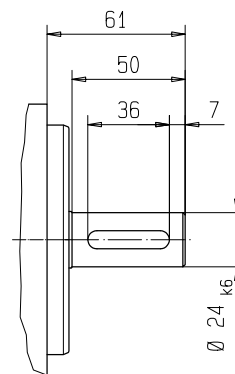
Shaft end K
Taper 1 : 5
500 Nm_{max}



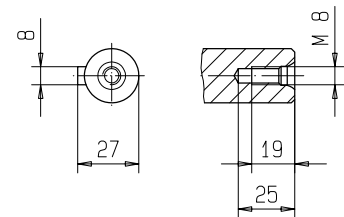
Shaft end W
involute spline B 28x25
DIN 5482
 $z = 15 \text{ m} = 1.75$
450 Nm_{max}



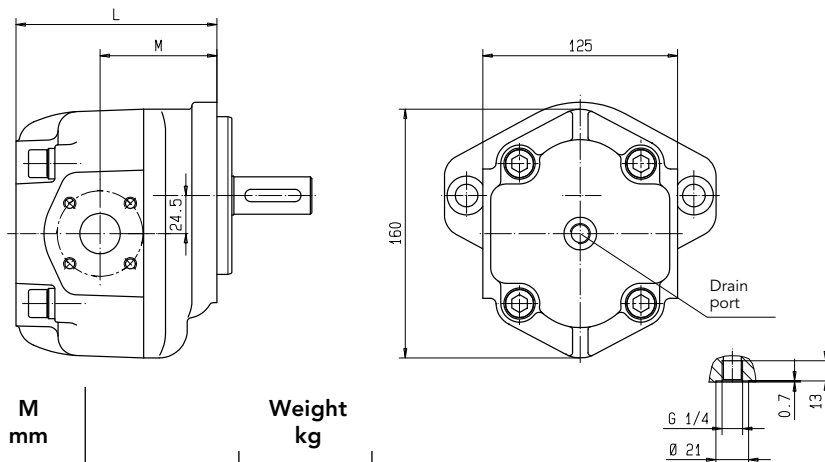
Shaft end U
involute spline SAE-B
 $z = 13 \text{ DP } 16/32, \alpha = 30^\circ$
180 Nm_{max}



Shaft end Y
Cylindrical shaft
230 Nm_{max}



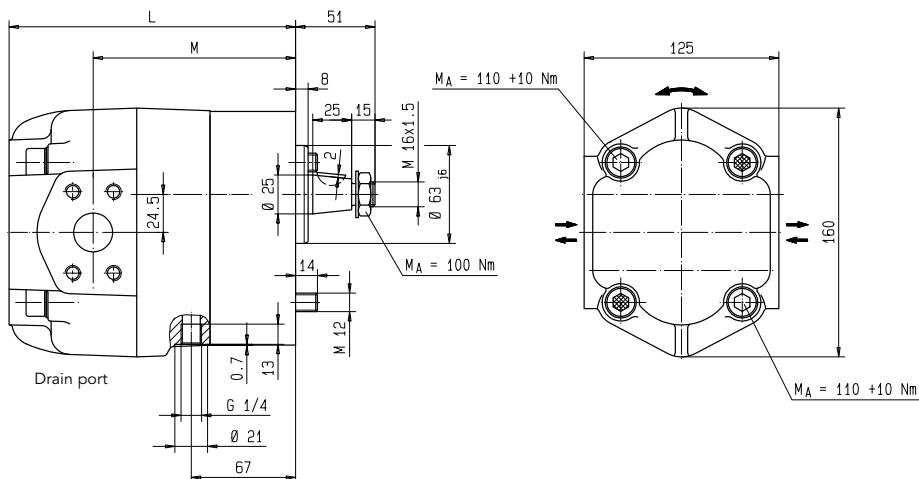
Dimensions, weight



Nominal motor displacement	L mm	M mm	Weight kg		
			G-Flange	S-Flange	F/M-Flange
20	129	75	11.0	10.0	9.0
25			11.5	10.5	9.5
28			12.0	11.0	10.0
32			12.5	11.5	10.5
40	142	85	13.0	12.5	11.5
50			13.5	13.0	12.0
62			15	14.0	13.0

Ordering example:
KM 2/20 S30A Y00 4DL1

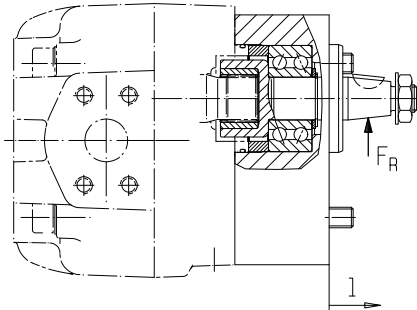
Dimensions, weight with outboard bearing



Nominal motor displacement	L mm	M mm	Weight kg
20	184	130	12.0
25			12.5
28			13.0
32			13.5
40	197	140	14.5
50			15.0
62			16.0

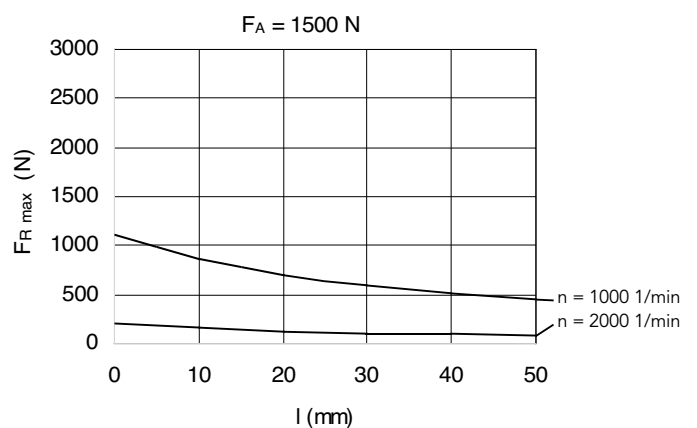
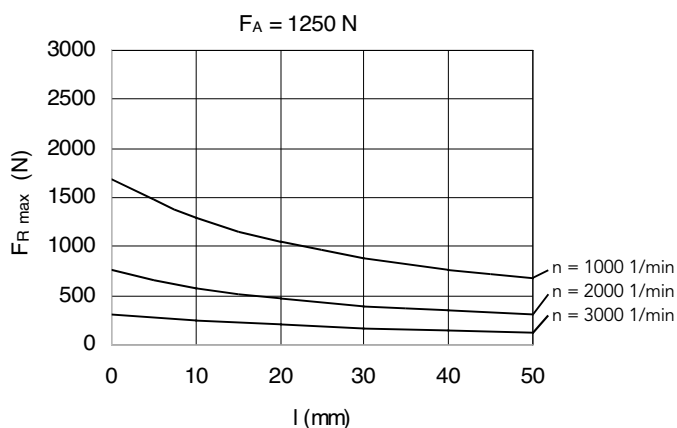
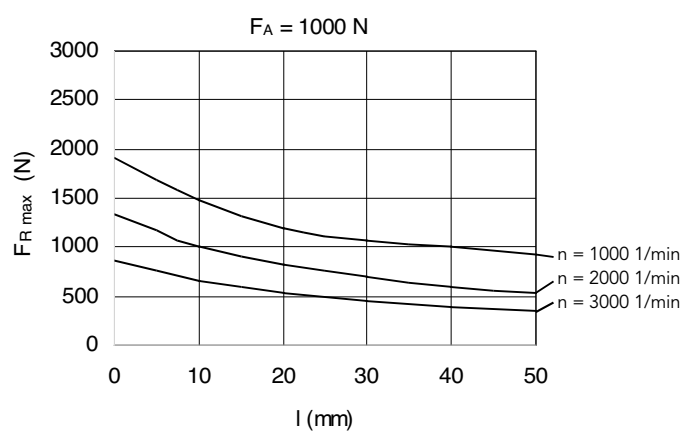
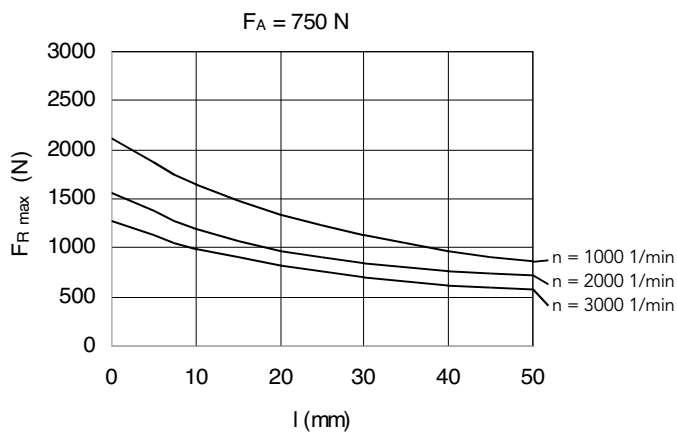
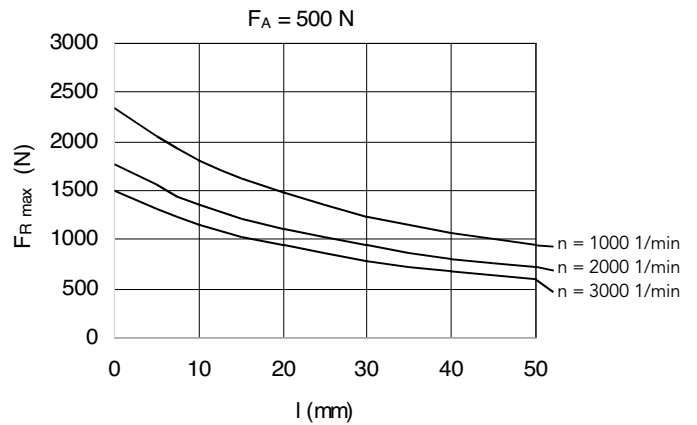
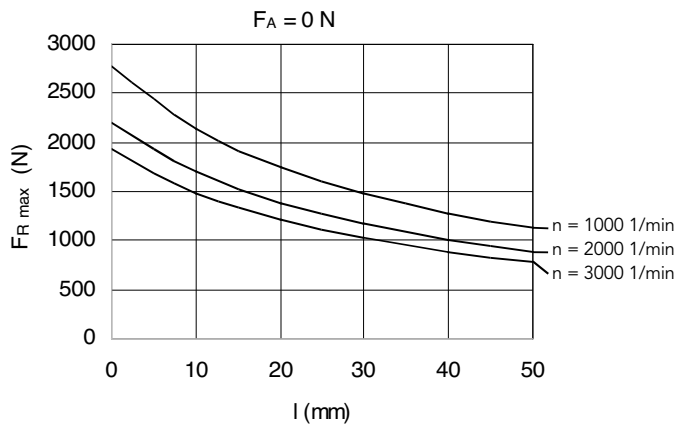
Ordering example:
KM 2/20 M3LF K00 4DL1/410

Permissible Load – Outboard Bearing .../410, Tapered Shaft End



Permissible radial load $F_{R \max}$ as function of the supporting distance l for a given axial force

F_A (for $L_h = 10.000$ h), medium wave at $l = 22.8$ mm



KRACHT[®]

KRACHT GmbH · Gewerbestrasse 20 · 58791 Werdohl, Germany
Phone +49 2392 935 0 · E-Mail info@kracht.eu · Web www.kracht.eu