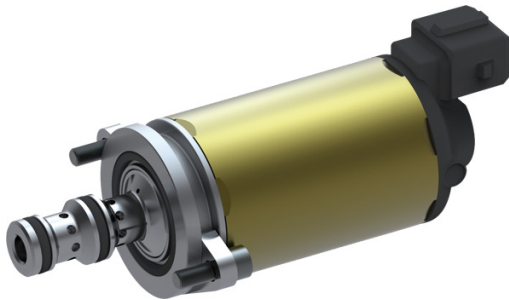


Proportional 3-Way Pressure-Reducing Cart., Size 2...5

$Q_{max} = 15 \text{ l/min}$, $p_{max} = 70 \text{ bar}$
Direct acting, electrically operated
Series DDRCZ-7011... to 7055...



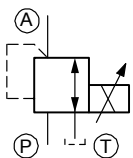
- Compact design offers space-saving installation
- Push-in cartridge for Bucher standard cavity type AGA
- Can be turned through 360° at installation
- Operated by a proportional solenoid
- 5 pressure ranges available
- Excellent stability over the whole pressure and flow range
- Coils protected against penetration by water
- Various plug-connector systems and voltages are available
- Optionally with auxiliary manual adjustment
- All exposed parts with zinc-nickel plating
- Can be fitted in a line-mounting body

1 Description

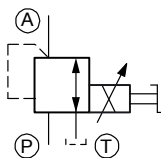
Series DDRCZ-70... proportional 3-way pressure-reducing cartridges are direct acting push-in cartridges with a compact solenoid system and are available in sizes 2...5. They reduce the outlet pressure in A as a function of the control current signal and independently of the inlet pressure in P. In the initial position (solenoid de-energised) the inlet of the 3-way pressure-reducing cartridge is shut off and the outlet is connected to tank (port A → T). In control mode, the connection P → A opens until the pressure in port A reaches the preset level. If the pressure rises above the preset level, the control spool opens the A → T connection until balance is attained. Five pressure ranges are available in order to obtain precise pressure settings over the whole of the required pressure range. The maximum operating pressure depends on the particular pressure range. These 3-way pressure-reducing cartridges are predominantly used for reduc-

ing a system pressure in mobile and industrial applications. They are suitable for controlling larger directional valves, where they can be incorporated in the valve body or directly in the end covers, for example, and for controlling pumps and motors. The advantages are the small space requirement, 360° rotatability at installation, and easy installation of the plug-in cartridge thanks to the mounting clip. The compact solenoid system also offers an ideal price/performance ratio, which is vital for reducing operating costs and capital expenditures. All external parts of the cartridge are zinc-nickel plated to DIN 50 979 and are thus suitable for use in the harshest operating environments. If you intend to manufacture your own cavities or are designing a line-mounting installation, please refer to the section "Related data sheets".

2 Symbol



DDRCZ-7011...7055...



DDRCZ-7011...7055...S619

3 Technical data

General characteristics	Description, value, unit
Designation	proportional 3-way pressure-reducing cartridge
Design	direct acting, electrically operated
Mounting method	push-in cartridge with mounting clip for 2 cap screws, M4 x 12

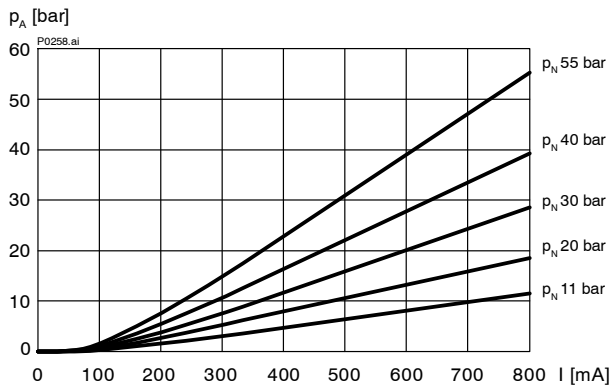
General characteristics	Description, value, unit
Tightening torque	1,8 Nm ± 10 %
Size	nominal size 2...5, cavity type AGA
Weight	0.45 kg
Mounting attitude	unrestricted (preferably vertical, coil down)
Ambient temperature range	-25 °C ... +50 °C

Hydraulic characteristics	Description, value, unit
Maximum operating pressure p_{max} (Inlet pressure)	70 bar, pressure range "055" 70 bar, pressure range "040" 40 bar, pressure range "030" 30 bar, pressure range "020" 20 bar, pressure range "011"
Flow range	...15 l/min
Nominal pressure ranges p_N	- model "055" ...55 bar - model "040" ...40 bar - model "030" ...30 bar - model "020" ...20 bar - model "011" ...11 bar
Back pressure in T	- static, not controlling p_{max} 10 bar - while controlling < 2 % p_N
Flow direction	see symbols
Hydraulic fluid	HL and HLP mineral oil to DIN 51 524; for other fluids, please contact BUCHER
Hydraulic fluid temperature range	-25 °C ... +70 °C
Viscosity range	15...380 mm ² /s (cSt), recommended 20...130 mm ² /s (cSt)
Minimum fluid cleanliness Cleanliness class to ISO 4406 : 1999	class 18/16/13

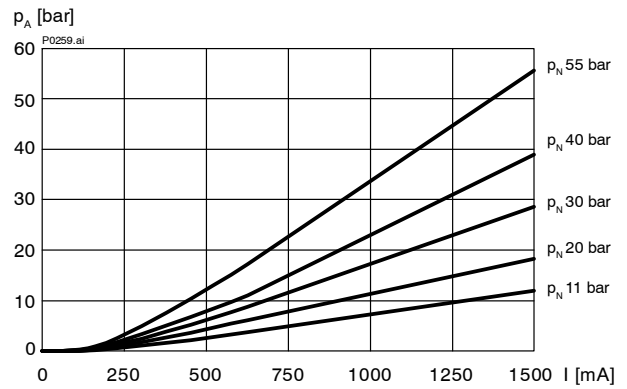
Electrical characteristics	Description, value, unit
Supply voltage	12 V DC, 24 V DC
Control current	12 V = 0...1500 mA, 24 V = 0...800 mA
Coil resistance R	- cold value at 20 °C 12 V = 4.8 Ω / 24 V = 17.6 Ω - cold value at -25 °C 12 V = 4.0 Ω / 24 V = 14.5 Ω - max. warm value 12 V = 8.0 Ω / 24 V = 28.0 Ω
Inductance Measured non-operated, at 0.1 mA (rms) / 1 kHz	12 V = 14 mH 24 V = 44 mH
Recommended PWM frequency (dither)	200 Hz
Hysteresis with PWM	2...4 % I_N
Reversal error with PWM	2...4 % I_N
Sensitivity with PWM	< 1 % I_N
Reproducibility with PWM	< 2 % p_N
Relative duty cycle	100 %
Nominal power consumption	max. 18 W
Protection class to ISO 20 653 / EN 60 529	IP 65 / IP 67 / IP 69K, see "Ordering code" (with appropriate mating connector and proper fitting and sealing)
Electrical connection	see "Ordering code"

4 Performance graphs measured with oil viscosity 33 mm²/s (cSt)

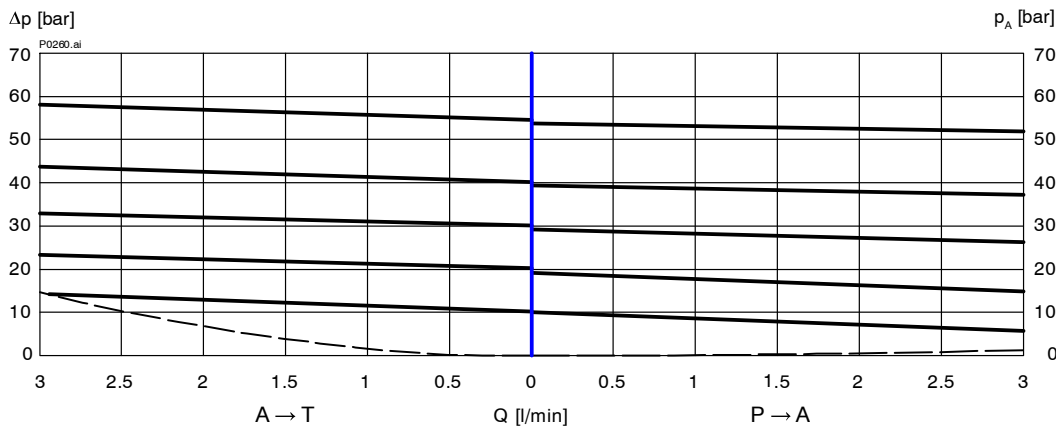
$p = f(I)$ Pressure adjustment characteristic



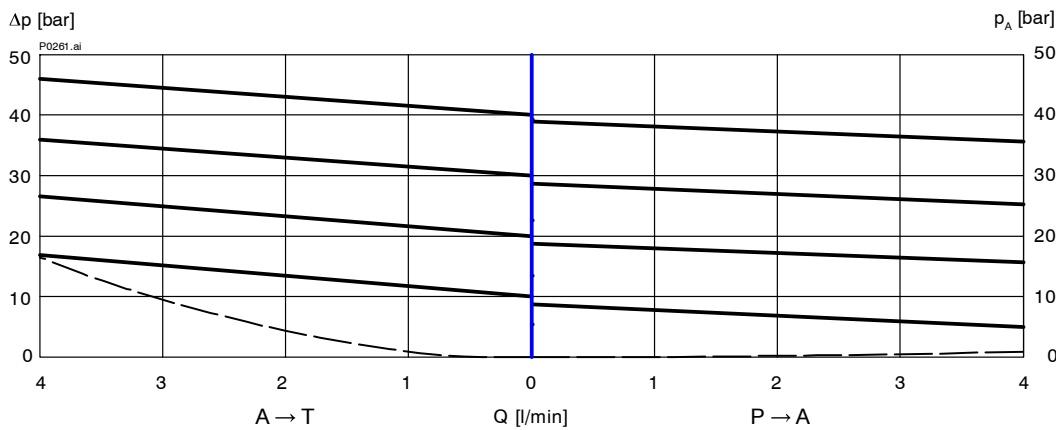
$p = f(I)$ Pressure adjustment characteristic



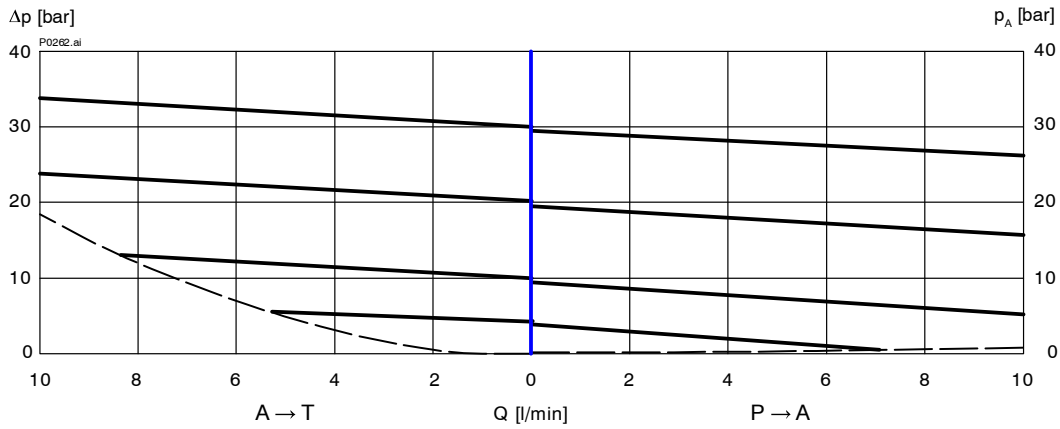
$p = f(Q)$ Pressure - Flow rate characteristic [DDRCZ-7055...]



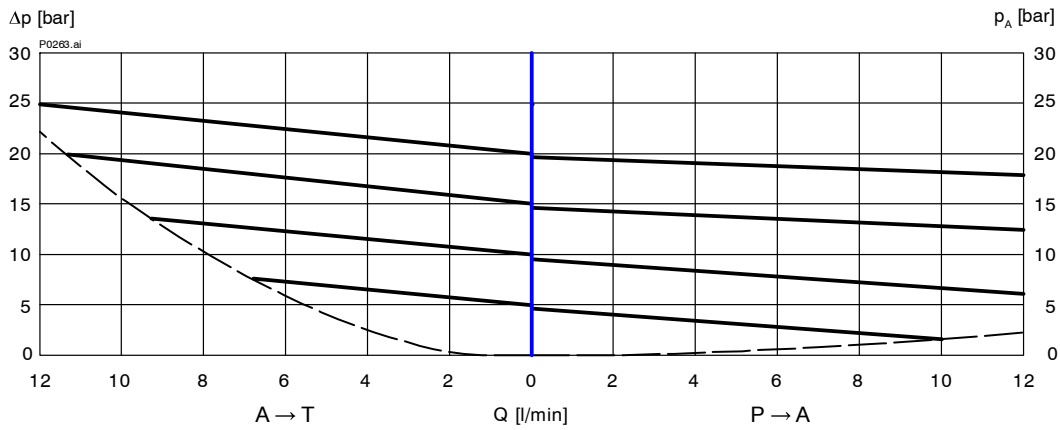
$p = f(Q)$ Pressure - Flow rate characteristic [DDRCZ-7040...]



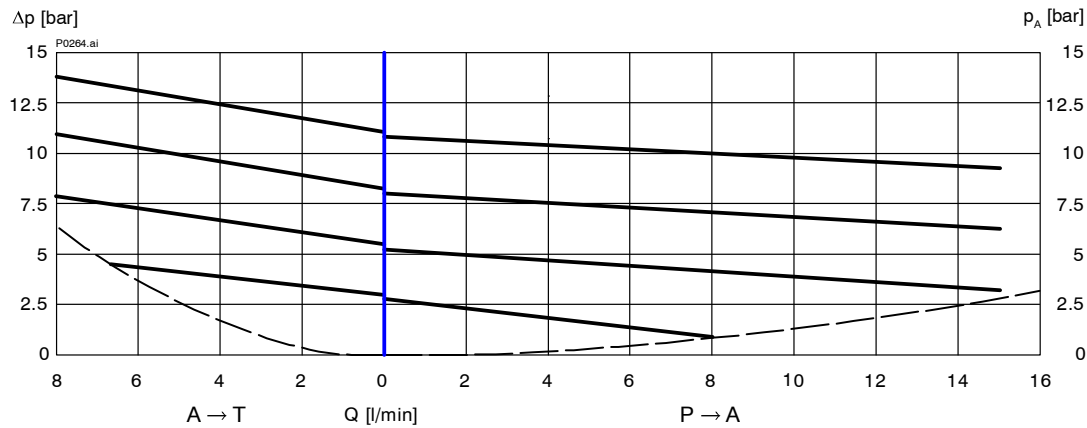
$p = f(Q)$ Pressure - Flow rate characteristic [DDRCZ-7030...]



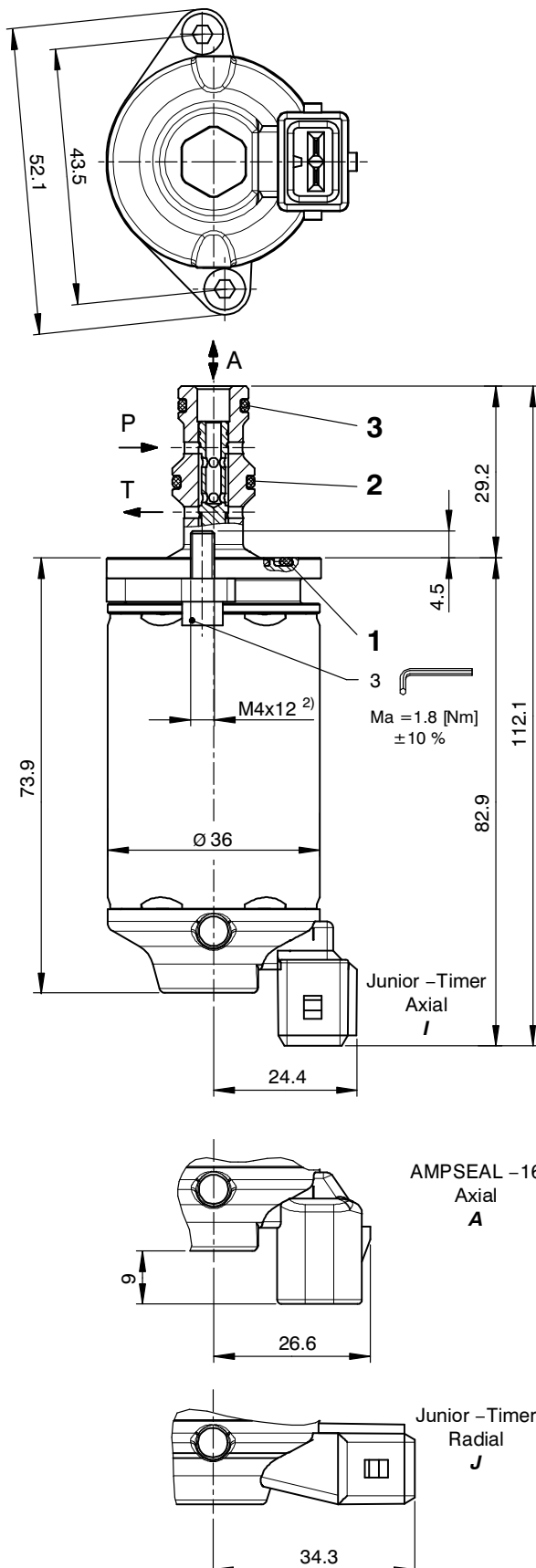
$p = f(Q)$ Pressure - Flow rate characteristic [DDRCZ-7020...]



$p = f(Q)$ Pressure - Flow rate characteristic [DDRCZ-7011...]

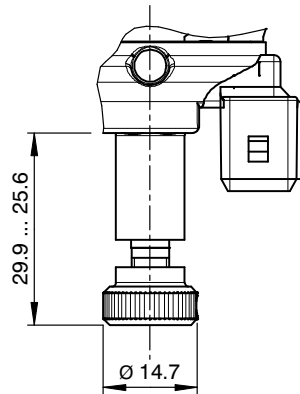


5 Dimensions & sectional view



6 Auxiliary manual adjustment

As an option, series DDRCZ... proportional 3-way pressure-reducing cartridges can be provided with an auxiliary manual adjustment, type S619. In the event of a power failure, for example, it can be used to set the required pressure mechanically.



7 Installation information



IMPORTANT!

When fitting the cartridges, note the mounting attitude (preferably vertical, with coil down → automatic air bleed) and use the specified tightening torque. No adjustments are necessary, since the cartridges are set in the factory.



ATTENTION!

Only qualified personnel with mechanical skills may carry out any maintenance work. Generally, the only work that should ever be undertaken is to check, and possibly replace, the seals. When changing seals, oil or grease the new seals thoroughly before fitting them.

Seal kit NBR no. DS-154-N ¹⁾

Item	Qty.	Description
1	1	O-ring no. 021 Ø 23,52 x 1,78 V70
2	1	O-ring no. 013 Ø 10,82 x 1,78 N70
3	1	O-ring no. 012 Ø 9,25 x 1,78 N70



IMPORTANT!

- 1) Seal kit with FKM (Viton) seals, no. DS-154-V
- 2) Valve mounting bolts M4x12 (included in the delivery)

8 Ordering code

Ex. **DDR C Z - 7 055 - 2 - 3 24 D - S619**

DDR	=	pressure-reducing cartridge, direct acting	
C	=	compact solenoid (proportional)	
A ... Q	=	standard model - see relevant data sheets	
Z ... R	=	special features - please consult BUCHER	
7	=	pressure function, 3 way design	
055	=	pressure range ...55 bar	
040	=	pressure range ...40 bar	
030	=	pressure range ...30 bar	
020	=	pressure range ...20 bar	
011	=	pressure range ...11 bar	
2	=	nominal size 2 for pressure range 055	
2	=	nominal size 2 for pressure range 040	
3	=	nominal size 3 for pressure range 030	
4	=	nominal size 4 for pressure range 020	
5	=	nominal size 5 for pressure range 011	
(blank)	=	NBR (Nitrile) seals (standard)	
V	=	FKM (Viton) seals (special seals - please contact BUCHER)	
1 ... 9	=	design stage (omit when ordering new units)	
...	=	voltage e.g. 24 (24 V)	
D	=	current DC	
J	=	Junior Timer radial plug connection (IP65)	} mating plug not supplied
I	=	Junior Timer axial plug connection (IP65)	
A	=	AMPSEAL 16-axial plug connection (IP 65 / 67 / 69K)	
for the following plug-variants, please consult Bucher:			
(blank)	=	ISO 4400 / DIN 43 650 mating plug	
D	=	Deutsch plug connection DT04-2P (IP 65 / 67 / 69K)	} mating plug not supplied
F	=	flying leads (500 mm)	
S619	=	as option: auxiliary manual adjustment (mechanical pressure setting)	

9 Related data sheets

Reference	Description
400-P-040011	The form-tool hire programme
400-P-040142	Cavity type AGA
400-P-712101	Line-mounting body, type GAAA (G 1/4")

info.ch@bucherhydraulics.com

www.bucherhydraulics.com

© 2015 by Bucher Hydraulics AG Frutigen, CH-3714 Frutigen

All rights reserved.

Data is provided for the purpose of product description only, and must not be construed as warranted characteristics in the legal sense. The information does not relieve users from the duty of conducting their own evaluations and tests. Because the products are subject to continual improvement, we reserve the right to amend the product specifications contained in this catalogue.

Classification: 430.305.305.305.300.310