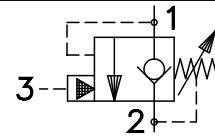


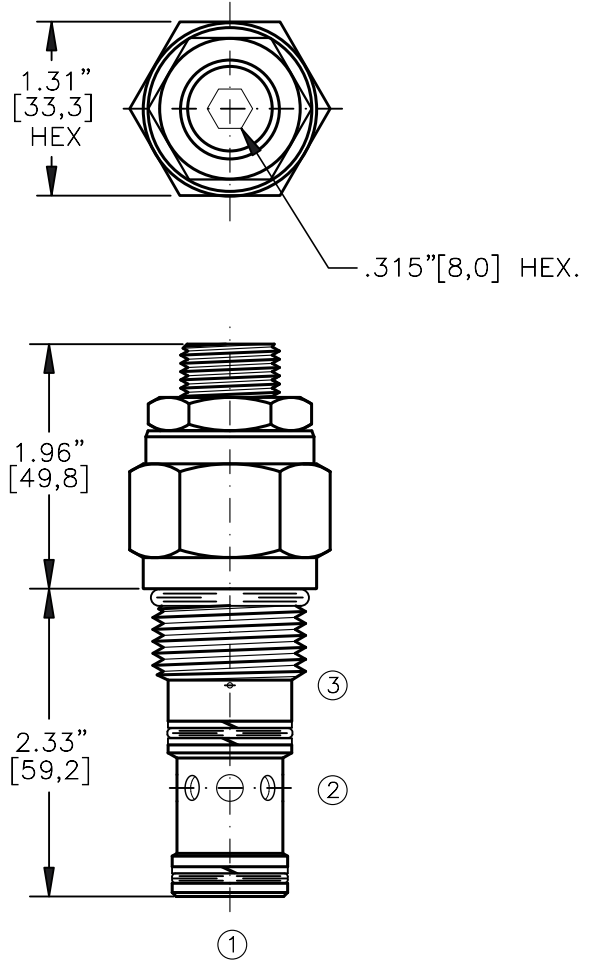
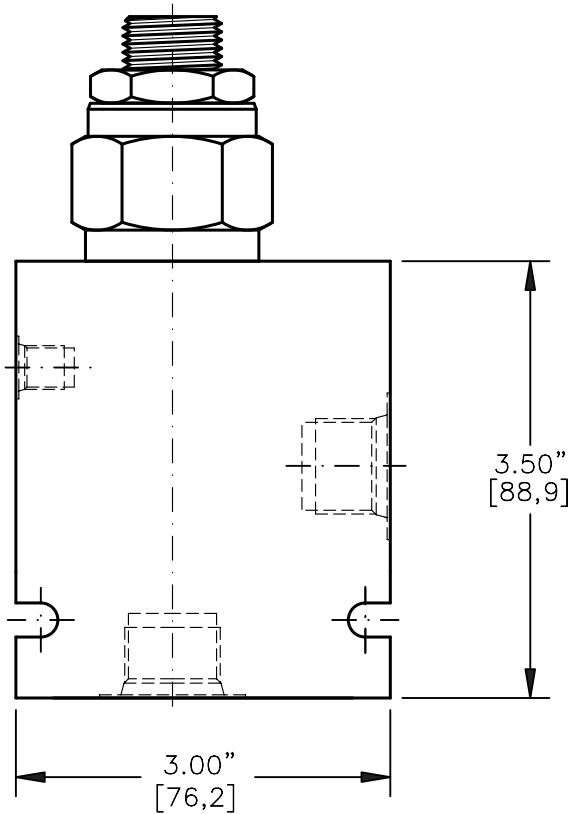
COUNTERBALANCE VALVE POPPET TYPE,
FREE REVERSE FLOW & SEALS ON THE PISTON



TORQUE:

Steel = 70/75 Ft-Lb. [95/102 Nm]

Aluminum = 55/60 Ft-Lb. [74/81 Nm]



FOR ALUMINUM OR STEEL VALVE HOUSING CONFIGURATIONS SEE PAGE 0-023-1.

CBPS-12-X-X-X-XX

BASIC

SIZE

12 = 1.062"-12 UNF

SEALS

N = BUNA "N"

V = VITON

ADJUSTMENT

S = ADJUSTING SCREW

C = CAPPED

T = TAMPERPROOF

PRESSURE RANGE

15 = 100 TO 1500 PSI

30 = 300 TO 3000 PSI

40 = 600 TO 4000 PSI

PORTS

0 = CARTRIDGE ONLY

04BX = G 1/2" BSP

06BX = G 3/4" BSP

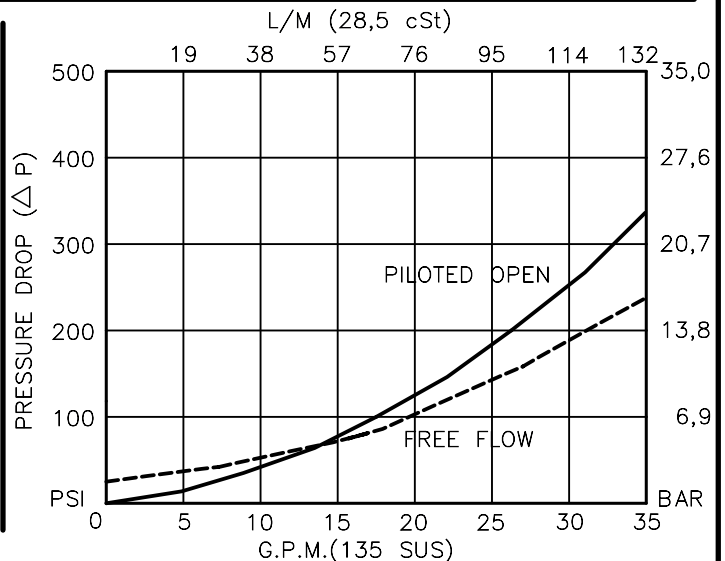
10TX = SAE - #10

12TX = SAE - #12

"A" - ALUM. HOUSING

"S" - STEEL HOUSING

FOR ADJUSTMENT CONTROL
OPTIONS SEE PAGE 0-050.0



COUNTERBALANCE VALVE POPPET TYPE WITH FREE REVERSE FLOW & SEALS ON THE PISTON.

DESCRIPTION

This unit is a DIRECT ACTING, SCREW IN CARTRIDGE STYLE, POPPET TYPE, ADJUSTABLE, PILOT ASSISTED, HYDRAULIC COUNTERBALANCE VALVE.

OPERATIONS

This valve controls moving load and preventing it from running ahead of the pump, locking the load in any position, it also provides static overload and thermal expansion protection.

This valve is a MODULATING DEVICE that allows free flow from port 2 to port 1 and then blocks reverse flow until a pilot pressure INVERSELY PROPORTIONAL to the load pressure is sensed at port 3 modulating flow from port 1 to port 2.

FEATURES AND BENEFITS

Leakproof screw adjustment.

Adjustment screw can not be backed out of the valve.

Overset protection – spring can not go solid.

Hardened precision fitted poppet & cage provides reliable, long life.

A unibody adapter cage construction provides very reliable operation.

Seals on the pilot piston assures no interflow of fluid between port #2 and port #3.

All external carbon steel parts are plated for longer life against the elements.

Valve is available with screw, tamperproof and capped adjustments.

All cartridge valves are 100% functionally tested.

SPECIFICATIONS

OPERATING PRESSURE: 4,000 PSI [276 Bar]

PROOF PRESSURE: 10,000 PSI [700 Bar]

FLOW: 35.0 GPM [132 L/M] nominal. See performance chart.

PILOT RATIO: 4 to 1

INTERNAL LEAKAGE: 5 drops/min @ 90% of crack pressure.^{^J}

DEFINITION OF CRACK: evident at 0.06 GPM [0.25 LPM]

VALVE HOUSINGS: 2500 PSI [175 Bar] = Aluminum – Anodized.

5000 PSI [350 Bar] = Steel – Unplated.

OPERATING TEMPERATURE: -40° to +250° F. [-40° to +120° C.]

OPERATING MEDIA: All general purpose hydraulic fluids such as MIL-H-5606, SAE-#10, SAE-#20, etc.

INSTALLATION: No restriction.

FILTRATION: 25 microns or better.

SEAL KIT NUMBER: SKN-1228 for Buna "N".

SKV-1228 for Viton.

WEIGHT: 0.84 lb [0,38 kg] cartridge only.

VALVE CAVITY: #C1225, See Page 0-023.0.

info.el@bucherhydraulics.com

www.bucherhydraulics.com/commoncavity

© 2015 by Bucher Hydraulics, Inc., 2545 Northwest Parkway, Elgin, Illinois 60124, USA

All rights reserved.

The technical information in this catalog, may contain calculated figures (for reference only) and not actual performance data for this product.

Data is provided for the purpose of product description only, and must not be construed as warranted characteristics in the legal sense.

The information does not relieve users from the duty of conducting their own evaluations and tests. Because the products are subject to continual improvement, we reserve the right to amend the product specifications contained in this catalogue.