



452 SERIES

V2CR 2 WAY BALL VALVES FOR PANEL MOUNTING



TECHNICAL SPECIFICATIONS

Features: With bulkhead thread and nut for panel mounting.



Operating pressure: Up to 500 Bar

Available Sizes: 1/4" a 1"

Materials: Body: Carbon Steel EN 10277-3

Working Temperature (O-rings)

O-rings: NBR / VITON / EPDM

	NBR	Viton	EPDM
+	+100°C	+200°C	+150°C
-	-30°C	-10°C	-40°C

Ball seats: Polyamide 6

Handle: Zamak – 5

Available Threads: BSP / NPTF / ISO 11926 (J1926)
DIN 2353 (ISO 8434-1)

Sectors: Industrial / Agricultural

Anchoring System: Mounting Holes

Applications: Designed for oil hydraulic (Group II- 2014/68/EU)



Interchange: INTEVA ESTÁNDAR

MODEL STRUCTURE

Example:

452.1012 AC

Series	Material	Mounting H.	O-rings	Size (S)	Thread
452.	1 Carbon St.	0 No	1 NBR	1 6	1/4"
		1 Yes	2 VITON	2 10	3/8"
			3 EPDM	3 13	1/2"
				4 20	3/4"
				5 25	1"

2 letters as per Table of Threads

452-1

INTEVA reserves the right to make modifications to its products without prior notice. Any external or internal alterations to our products will automatically void the warranty.

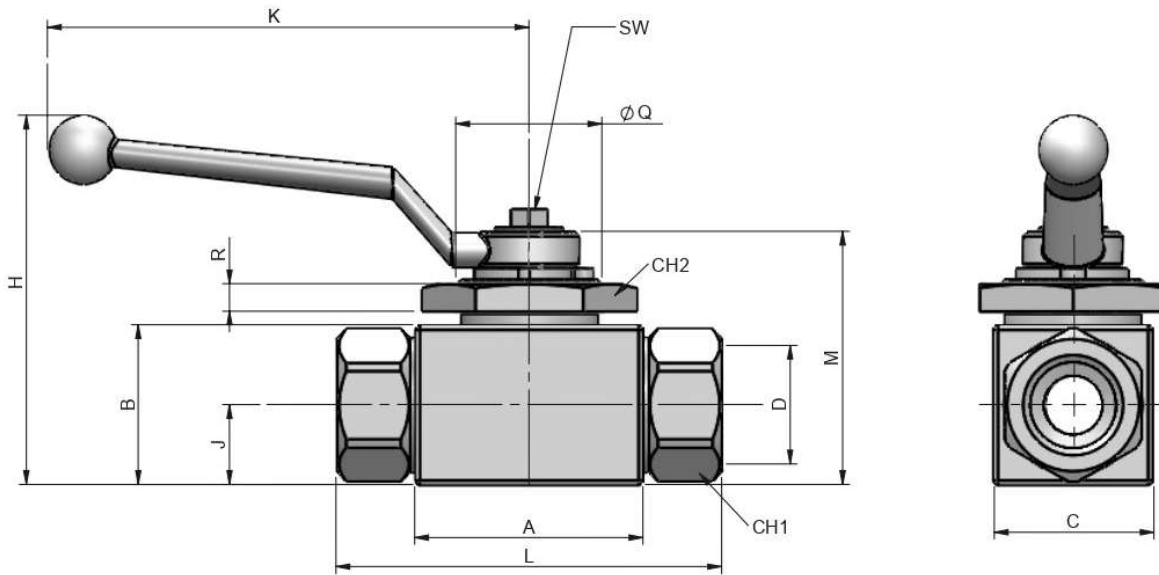




452 SERIES

V2CR

2 WAY BALL VALVES
BSP / NPTF / ISO 11926 (J1926)
DIN 2353 (ISO 8434-1)



(S)	D	REF.		CH1	CH2	L	A	B	M	K	H	J	C	SW	R	Ø Q
6	1/4" BSP	452.1011AB	500	22	30	72.60	40	35	45.50	105.50	71	13	26	8.90	6	M32x1.5
	1/4" NPTF	452.1011BB														
	7/16"- 20h UNF (ORB)	452.1011GA														
	M12x1.5 6L	452.1011JB														
	M14x1.5 8L	452.1011JC														
	M16x1.5 10L	452.1011JD														
10	M16x1.5 8S	452.1011KD	500	27	41	75.40	45	40	50.50	105.50	76	16	32	8.90	6	M32x1.5
	3/8" BSP	452.1012AC														
	3/8" NPTF	452.1012BC														
	9/16"- 18h UNF (ORB)	452.1012GC														
	M16x1.5 10L	452.1012JD														
	M18x1.5 12L	452.1012JE														
13	M22x1.5 15L	452.1012JG	500	30	41	79.40	50	45	55.50	105.50	81	17.50	35	8.90	6	M32x1.5
	M20x1.5 12S	452.1012KF														
	M22x1.5 14S	452.1012KG														
	1/2" BSP	452.1013AD														
	1/2" NPTF	452.1013BD														
	3/4"- 16h UNF (ORB)	452.1013GF														
20	M22x1.5 15L	452.1013JG	400	41	50	84.50	60	58	73	159.50	108	23	50	13.90	6	M45x1.5
	M26x1.5 18L	452.1013JI														
	M24x1.5 16S	452.1013KH														
	M30x2 20S	452.1013KJ														
	3/4" BSP	452.1014AE														
	3/4" NPTF	452.1014BE														
25	1 1/16"- 12h UN (ORB)	452.1014GK	350	46	50	93.40	65	65	80	159.50	115	27.50	57	13.90	6	M45x1.5
	M30x2 22L	452.1014JJ														
	M30x2 20S	452.1014KJ														
	M36x2 25S	452.1014KK														
	1" BSP	452.1015AF														
	1" NPTF	452.1015BF														
25	1 5/16"- 12h UN (ORB)	452.1015GO	350	46	50	114.50	65	65	80	159.50	115	27.50	57	13.90	6	M45x1.5
	M36x2 28L	452.1015JK														