



# 432 SERIES V3RH

3 WAY BALL VALVES: F – F – H  
CARBON STEEL  
BSP / NPTF / ISO 11926 (J1926)

Thread combinations available on request and minimum quantity..

## TECHNICAL SPECIFICATIONS

<b>Operating pressure:</b>	Up to 500 Bar	
<b>Materials:</b>	Body:	Carbon Steel EN 10277-3
	O-rings:	NBR / VITON / EPDM
	Ball seats:	Polyamide 6
	Handle:	Zamak – 5
<b>Sistema de Cierre:</b>	Type L 90° / Type T 90° / Type T 180°	
<b>Available Threads:</b>	BSP / NPTF / ISO 11926 (J1926)	
<b>Anchoring System:</b>	Mounting Holes	
<b>Applications:</b>	Designed for oil hydraulic (Group II- 2014/68/EU)	
<b>Interchange:</b>	PISTER BK3 / MHA BK3 / HYDAC KHB3K	

**Available Sizes:** 1/4" a 1"

**Working Temperature (O-rings)**

	NBR	Viton	EPDM
+	+100°C	+200°C	+150°C
-	-30°C	-10°C	-40°C

**Sectors:** Industrial / Agricultural



## MODEL STRUCTURE

Example:

### 432.1113 AD

Series	Material	Mounting H.	O-rings	Size (S)	Thread
432. L 90°	1 Carbon St.	0 No	1 NBR	1 6	1/4" 2 letters as per Table of Threads 3/8" 1/2" 3/4" 1"
434. T 90°		1 Yes	2 VITON	2 10	
436. T 180°			3 EPDM	3 13	
				4 20	
				5 25	

Type Closing L 90°	3	2	1	2	1 3
Type Closing T 90°	3	2	1	2	1 3
Type Closing T 180°	3	2	1	2	1 3

Attention: Pressure connections should always be made through the central port (2)

## 432-1

INTEVA reserves the right to make modifications to its products without prior notice. Any external or internal alterations to our products will automatically void the warranty.

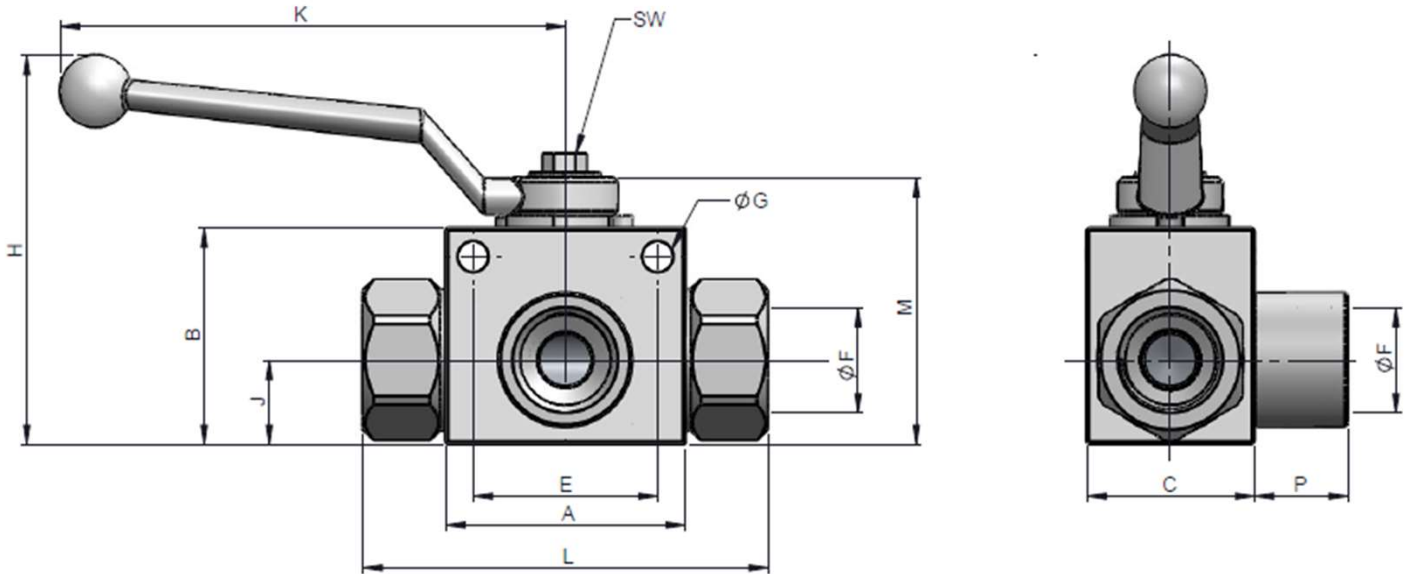




# 432 SERIES

## V3RH

3 WAY BALL VALVES: F – F – F  
 CARBON STEEL  
 BSP / NPTF / ISO 11926 (J1926)



(S)	D / F	Without M.H.	With M.H.		CH1	L	A	B	M	K	H	J	C	SW	ØG	E	P
6	1/4" BSP	432.1011AB	432.1111AB	500	22	72.50	40	35	45.50	105.50	71	13	26	9	4.50	320	16
	1/4" NPTF	432.1011BB	432.1111BB														13
	7/16" - 20h UNF(ORB)	432.1011GA	432.1111GA														14
10	3/8" BSP	432.1012AC	432.1112AC	500	27	75.50	45	40	50.50	105.50	76	16	32	9	5.20	320	15
	3/8" NPTF	432.1012BC	432.1112BC														16
	9/16" - 18h UNF(ORB)	432.1012GC	432.1112GC														16
13	1/2" BSP	432.1013AD	432.1113AD	500	30	84.50	50	45	55.50	105.50	81	17.50	35	9	6.50	38.50	19.50
	1/2" NPTF	432.1013BD	432.1113BD														
	3/4" - 16h UNF(ORB)	432.1013GF	432.1113GF														
20	3/4" BSP	432.1014AE	432.1114AE	400	41	93.50	60	60	73	159.50	108	23	50	14	6.50	48.50	19
	3/4" NPTF	432.1014BE	432.1114BE														21
	1 1/16" - 12h UN(ORB)	432.1014GK	432.1114GK														
25	1" BSP	432.1015AF	432.1115AF	350	46	114.50	65	65	80	159.50	115	27.50	57	14	8.50	50.50	25
	1" NPTF	432.1015BF	432.1115BF		25												
	1 1/4" BSP	432.1015AG	432.1115AG		31												
	1 1/4" NPTF	432.1015BG	432.1115BG		25												
	1 1/2" BSP	432.1015AH	432.1115AH		32												
	1 1/2" NPTF	432.1015BH	432.1115BH		25												
	1 5/16" - 12h UN(ORB)	432.1015GO	432.1115GO		25												