



432 SERIES

V3MT

3 WAY BALL VALVES: M – M – M
 CARBON STEEL
 DIN 2353 (ISO 8431-3)

Thread combinations available on request and minimum quantity.

TECHNICAL SPECIFICATIONS

Operating pressure:	Up to 500 Bar	
Materials:	Body:	Carbon Steel EN 10277-3
	O-rings:	NBR / VITON / EPDM
	Ball seats:	Polyamide 6
	Handle:	Zamak – 5
Sistema de Cierre:	Type L 90° / Type T 90° / Type T 180°	
Available Threads:	DIN 2353 (ISO 8431-3)	
Anchoring System:	Mounting Holes	
Applications:	Designed for oil hydraulic (Group II- 2014/68/EU)	
Interchange:	PISTER BK3 / MHA BK3 / HYDAC KHB3K	

Available Sizes: 1/4" a 1"

Working Temperature (O-rings)

	NBR	Viton	EPDM
+	+100°C	+200°C	+150°C
-	-30°C	-10°C	-40°C

Sectors: Industrial / Agricultural



MODEL STRUCTURE

Example:

432.1113 KH

Series	Material	Mounting H.	O-rings	Size (S)	Thread
432. L 90°	1 Carbon St.	0 No	1 NBR	1 6	1/4" 2 letters as per
434. T 90°		1 Yes	2 VITON	2 10	3/8" Table of
436. T 180°			3 EPDM	3 13	1/2" Threads
				4 20	3/4"
				5 25	1"

Type Closing L 90°	3	2	1	2	1 3
Type Closing T 90°	3	2	1	2	1 3
Type Closing T 180°	3	2	1	2	1 3

Attention: Pressure connections should always be made through the central port (2)

432-3

INTEVA reserves the right to make modifications to its products without prior notice. Any external or internal alterations to our products will automatically void the warranty.

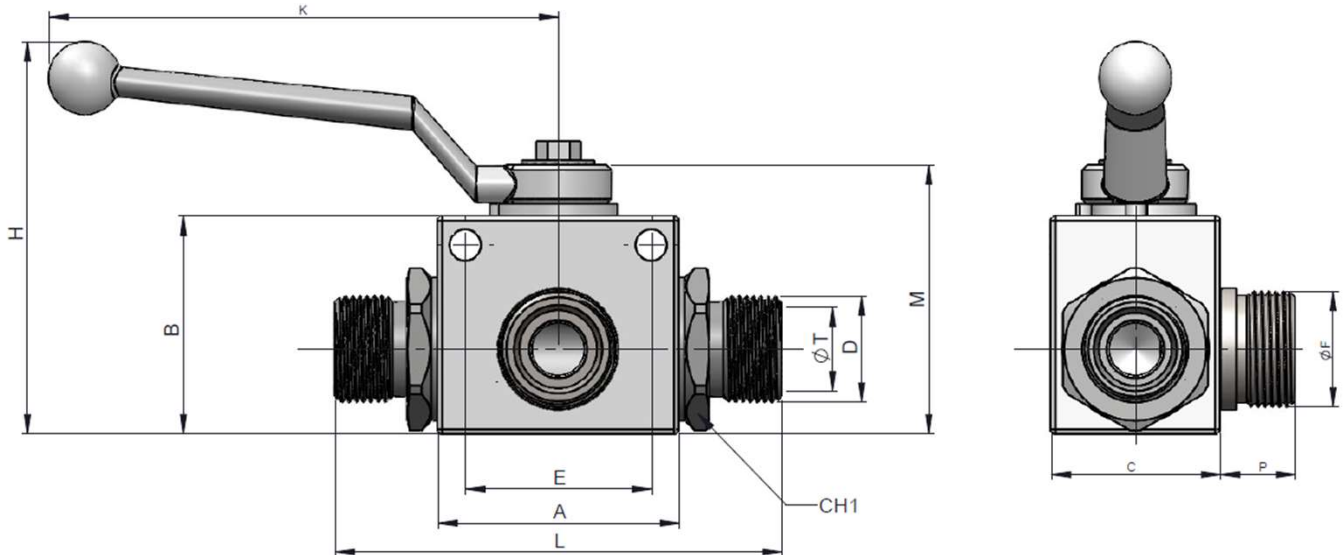





432 SERIES

V3MT

3 WAY BALL VALVES: M – M – M
 CARBON STEEL
 DIN 2353 (ISO 8431-3)



(S)	D	OD	Without M.H.	With M.H.		CH1	L	A	B	M	K	H	J	C	SW	Ø G	E	P
6	M12x1.5	6L	432.1011JB	432.1111JB	500	22	78.50	40	35	45.50	105.50	71	13	26	9	4.50	320	13
	M14x1.5	8L	432.1011JC	432.1111JC			79.50											
	M16x1.5	10L	432.1011JD	432.1111JD			78.50											
	M18x1.5	8S	432.1011KD	432.1111KD			79.50											
	M18x1.5	10S	432.1011KE	432.1111KE			79.50											
10	M16x1.5	10L	432.1012JD	432.1112JD		27	77.50	45	40	50.50	105.50	76	16	32	9	5.20	320	14
	M18x1.5	12L	432.1012JE	432.1112JE			79.50											
	M22x1.5	15L	432.1012JG	432.1112JG			79.50											
	M20x1.5	12S	432.1012KF	432.1112KF			79.50											
	M22x1.5	14S	432.1012KG	432.1112KG			79.50											
13	M22x1.5	15L	432.1013JG	432.1113JG	30	92.50	50	45	55.50	105.50	81	17.50	35	9	6.50	38.50	15.50	
	M26x1.5	18L	432.1013JI	432.1113JI														
	M24x1.5	16S	432.1013KH	432.1113KH														
	M30x2	20S	432.1013KJ	432.1113KJ														98.50
20	M30x2	22L	432.1014JJ	432.1114JJ	400	41	108.50	60	58	73	159.50	108	23	50	14	6.50	48.50	17
	M30x2	20S	432.1014KJ	432.1114KJ			114.50											
	M36x2	25S	432.1014KK	432.1114KK			114.50											
25	M36x2	28L	432.1015JK	432.1115JK	350	46	128.50	65	65	80	159.50	115	27.50	57	14	8.50	50.50	25
	M42x2	30S	432.1015KL	432.1115KL														