



412 SERIES ISO 5211

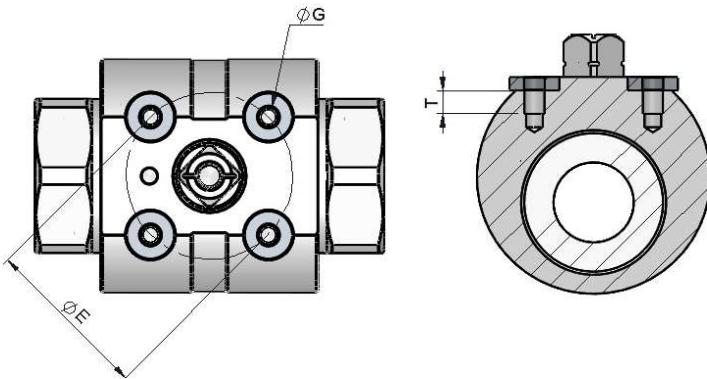
(DIRECT MOUNTING OF ACTUATORS)

Anchoring system for direct mounting part-turn actuators.
Available in our two-way valves in all sizes and threads.

Example:

412.2016 AG F03

Series	Material	Mounting H.	O-rings	Size (S)	Thread	ISO 5211
412.	1 Carbon St.	0 No	1 NBR	1 6	2 letters as per Table of Threads	-
	2 SS316		2 VITON	2 10		F03
	3 SS303		3 EPDM	3 13		F04
				4 20		F05
				5 25		F06
				6 32		F07
				7 40		
				8 50		



V2RD



RD Valves are supplied with Washer-Supplement to facilitate actuator support.



(S)	Type	ØG	ØE	T	Max. Flange Torque (N m)
10	F03	M5	36	12	32
13	F03	M5	36	12	32
20	F04	M5	42	12	63
	F05	M6	50	12	125
25	F05	M6	50	12	125
32	F05	M6	50	12	125
40	F07	M8	70	15	250
50	F07	M8	70	15	250

412-5

INTEVA reserves the right to make modifications to its products without prior notice. Any external or internal alterations to our products will automatically void the warranty.

